


Panasonic

PROJECT CATALOG
March 2021-2022

PROFESIONAL LIGHTING FIXTURE





Panasonic strives to pursue a better life
for each individual customer with its various partners
in various spaces and fields, such as the home,
the community, in business, in travel, and in the car.
We aim to realize a better world globally.

The meaning of lighting for a better world.

It has been several years since LEDs were widely used. Since the era when LEDs were adopted as a substitute for conventional light sources, mainly for the purpose of energy saving, consideration of the effect on the environment, increasing efficiency, etc. Until now, the development of LED technology and the use of LEDs has grown rapidly, such as the use of LED technology for dimming light, changing light color, lighting performance, automation, etc.

Now we are in an era where the emotional side can be created to express a wide range of lighting.

LEDs are not only for lighting but also for attracting people's attention and can create a different atmosphere in a room or open space. Light can create an atmosphere of warmth, coolness, dynamism and serenity which has a major influence on the emotional side of humans. The meaning of lighting will continue to develop, this is one of the important elements that can be expressed in a room or architectural concept.

Panasonic leverages engineering and design expertise for better lighting, this way we will create an attractive environment with you. Experience for yourself how our LED lighting products add value to any application.

Panasonic LED

Index

Introduction

Lighting the way to a better world

P. 1-2

Index

P. 3-4

Lighting Solutions for Professionals

P. 5-6

Solution Image

P. 7-8

Job References

P. 9-18

Explanation of Marks

P. 19

Lighting Catagory

P. 20-23

Indoor

General Down Light

P. 24-30

I-Series

α - Series

Glare Cut 30° Type

Soft Edge Series

Special Down Light

P. 31-43

Down Light Waterproof

Down Light J-Series

System Light

Glareless Family

Down Light Outdoor

Outbow AERO

Pendant Linier

Spot Track Light

General Base Light

P. 43-48

LED G13 Reflector

LED G13 Batten

Panel Type Retangular

Panel Type Square

Special Base Light

P. 49-64

iD Series

iD Series Rainproof

HACCP & Clean Food Series

LED Extrusion

System Ceiling

Industrial Lighting

P. 65-69

High Bay Japan Type

High Bay UFO type

LED Tri-Proof Batten

Cove & Contour Lighting

P. 70-73

LED Strip Light

Strip Light Driver

LED Batten Slim

Appendix

Precautions on Using LED Base Lighting P. 98

Outdoor

Street Light

P. 74-80

Street Light S3 Series
Street Light EVO Series
Street Light NEO Series
Solar Road Lighting

Flood Light

P. 81-85

A Series
High Lumen Stadium Light
High Lumen Anti Chlorine

Decorative Light

P. 86-95

LED Flood Light (Mono & RGBW Color)
LED Wall Washer (RGBW & Mono Color)
LED Outline (RGB & Mono Color)
LED Pixel Light
LED Flexible Strip Light RGB
LED Inground (RGBW & Mono Color)
LED Underwater RGB
Step Light
LED Bollard light

Lighting Solutions for Professionals

Panasonic's UNIQUE PROFESSIONAL ASSISTANCE

Panasonic Professional Lighting offers 3 core values;
Beauty, Comfort, and Reliability.

In addition to the 3 core values, we also provide professional assistance
through our light engineering support, technical tools and
Panasonic unique technologies.

We provide solutions that balance our customer's business success and
environmental & social sustainability.

Light Engineering Support

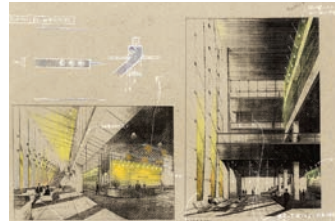
Panasonic provides professional lighting using its unique technical know-how.

01.

Planning and Basic design



Creating the lighting concept



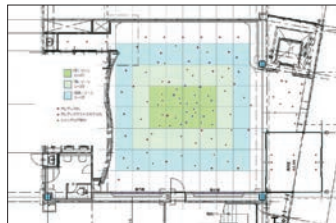
Sketched image of the proposal



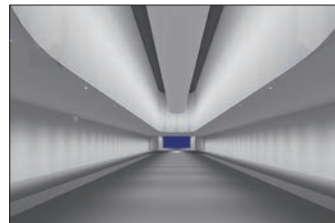
Collaboration with designers and architects

02.

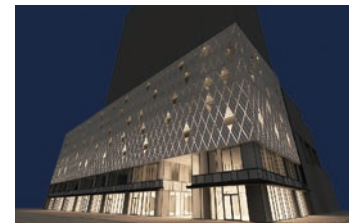
Design and implementation



Light distribution plan



Considering the human sense of brightness through "Feu"



Verification by "Real CG"

03.

Testing and on-site validation



Use various lamps to test contrast effects



Experimentation through a mock-up



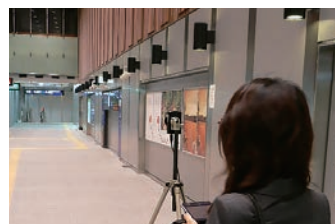
Examination of the appearance of the light distribution and color

04.

Validation after completion



Confirmation and adjustment on site at time of delivery



Validation of illumination and "Feu" after delivery



Accumulation of know-how

Solution Image

Panasonic LED Lighting Solutions

LIGHTING SOLUTIONS FOR A BETTER LIFE IN OUR COMMUNITIES



Introducing a wide range of advanced lighting fixtures matching with the needs of our nowadays communities.

We at Panasonic, are proud to provide you various advanced and energy efficient choices based on your need to build tomorrow's future.

From urban infrastructure design, to work space innovations along with retail facilities and factories, Panasonic has the lighting solution you require to take your business to the next level.

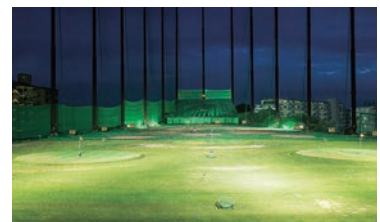
Panasonic LED, light up the way to a better world.

Infrastructure

Safety & Reliability



Road Lighting



Sports Facility Lighting



Industrial

Rationality & Productivity



Warehouse Lighting

Commercial

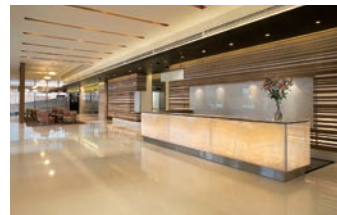
Vitality & Promotion



Office Lighting

Hospitality

Comfort & Relaxation



Hotel & Residence Lighting



Factory Lighting



Retail shop Lighting

Job References

Implementing All LED Field Illumination

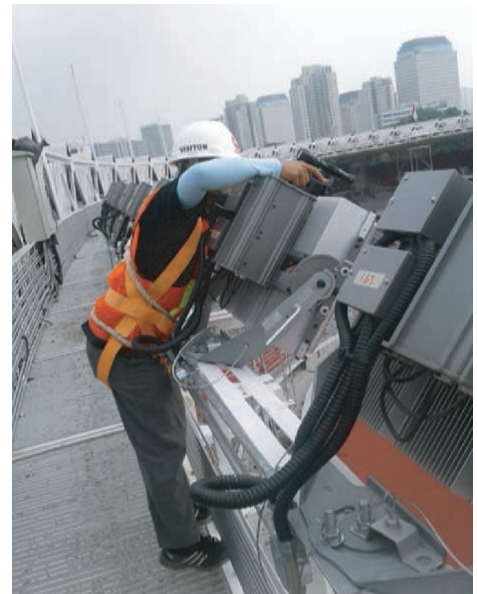
GELORA BUNG KARNO FOOT BALL STADIUM

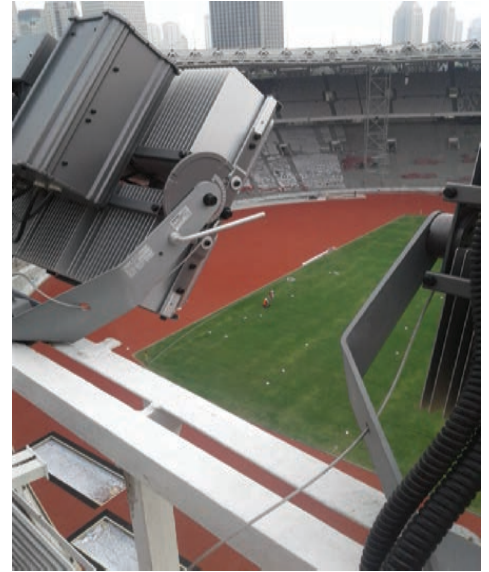
-INDONESIA-

The First newly-built domestic stadium
to adopt a full LED Flood light system

3500lx illumination is maintained on the whole pitch, fulfilling the Japanese Soccer Association's standards. By combining three types of floodlights to light the field, it is possible to configure the lighting to meet required luminance. Through the combination of LED and new narrow-angle light distribution lenses, we have developed a lighting module to prevent the overlapping of light, which causes glare. In addition, CRI 80 LEDs provide support for high-color rendering on live television broadcasts, reproducing bright colors.

In case of emergency, the lights can assume functions for the area's primary refuge point or disaster countermeasure department.





Property Information
 Completion : January 2018
 Owner : Kementerian Sekretariat Negara RI
 Design Lighting : Panasonic



Space Lighting Layout

Software technology to powerfully and equally illuminate the field.

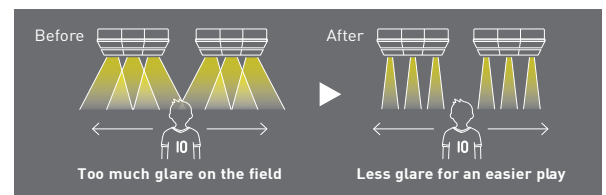
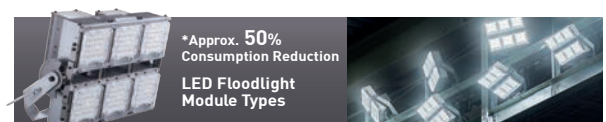
By controlling the angle, number and position of devices with over 610 lights. This creates an easily playable environment for the athletes.



Light Distribution Layout

The system uses LED hardware technology to reduce glare on the athletes.

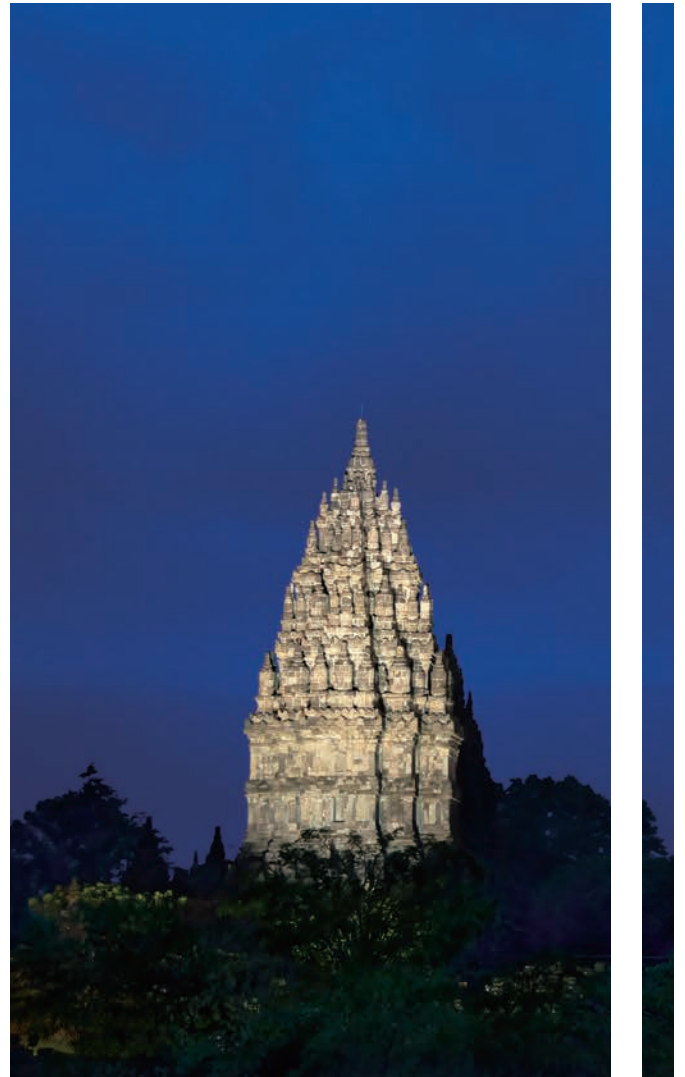
By using Panasonic's proprietary design technology, we have been able to achieve a narrow-angle light distribution. By reducing the overlap of light that causes glare, it is reduced both horizontally on the field and even when looking up at the lights.



Job References

Hindu Temple in the Ancient City of Yogyakarta
Registered as a World Heritage Site in 1991

PRAMBANAN TEMPLE COMPOUNDS



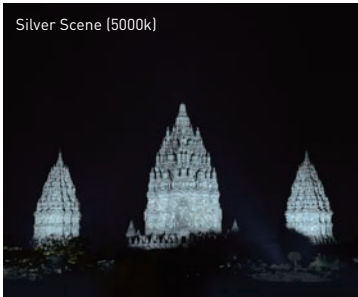
Vividly illuminating the Prambanan, a Hindu temple compound that is a World Heritage Site which was built in the 9th-century. It was registered as a World Heritage Site in 1991. The LED illumination project was implemented to attract tourists and to promote the local economy. The color temperature varies in accordance with the time of night giving the temples a unique appearance and brightly illuminating the temple surfaces.

▼ For more information



Indonesia Website Prambanan
<http://panasonic.net/ts/id/prambanan/>

Property Information
Completion: December 2014
Location: Indonesia / Jakarta
Owner: PT Taman Wisata Candi Borobudur,
Prambanan, and Ratu Boko
Lighting Design: PT. Panasonic Gobel Life Solutions
Sales Indonesia



Application of stadium lighting GELORA BUNG TOMO FOOT BALL STADIUM



Property Information
Completion : December 2020
Location : Indonesia / Surabaya Sport Center
Lighting : LED Flood Light White Series
LED Flood Light G-Series

Bright, safe and not glare.

Lighting throughout the field is the main point to meet lighting needs, especially during professional football matches. By using a floodlight type lamp to illuminate the field, the lighting can be configured to meet the lighting required. The resulting light is still bright but safe and not glare.



Taman Pusat Pemerintah Badung, Bali, Indonesia



Tugu Obor - Oro Oro Ombo, Madiun City, Indonesia



Menara Masjid Pondok Gontor, Ponorogo, Indonesia



Decorative lighting for city beautification PAKKAYA TOWER LIMBOTO, GORONTALO



Beauty & Dynamic Lighting.

Dynamic lighting in an iconic city building by using many light colors that change as desired, can add aesthetic value to a more beautiful urban planning concept.



Property Information
Completion : November 2018
Location : Indonesia / Gorontalo
Lighting : LED Wall Washer RGB
LED Flood Light RGB
LED Pixel Light



Tugu Lontar, Gersik City, Indonesia



Masjid Agung, Magetan, Indonesia



Islamic Center Tower, Lampung



Tenggarong Bridge, Kalimantan, Indonesia



Gelora Bung Karno, Jakarta, Indonesia



Lippo Group's large scale shopping mall within a composite facility Lippo Mall Puri, St. Moritz



Property Information
Completion : August 2015
Location : Indonesia / Jakarta
Owner : PT Lippo Karawaci Tbk.
Lighting design : LITAC

Energy saving and easy maintenance design for a high grade shopping mall

Low glare LED downlights and LED strip lights are utilized for indirect lighting and energy savings that require minimal maintenance for one of the biggest shopping malls in Jakarta.

Luxury anti-aging clinic

AnHo Premier (AnHo Bio Prima)-Integrative Medicine Center



Property Information
Completion : October 2015
Location : Indonesia / Jakarta
Owner : PT Anho Biogenesis Prima Indonesia

Harmonized with a high grade interior design and a relaxing atmosphere

A completely all LED lighting design for clinics. Glareless downlights and indirect lighting are utilized in order to avoid uncomfortable glare. This lighting design is also considered to aid in a patients treatment.

Explanation of Marks

ONE CORE

The ONE CORE LED is a great way to prevent excessive glare or unnatural shadows from occurring because its design uses an integrated single-package LED to deliver natural, clearly defined light and shadows.

Conventional Multi packaged LED



Multiple shadows can be seen



ONE CORE



A single shadow can be seen

High CRI

Light at a color rendering index of CRI 95 makes the colors of irradiated objects appear in their natural colors.

Dimmable

Fixture is dimmable.

Non-dimmable

Fixture is non-dimmable.



A wide range of beam angles to meet your unique needs.

Note: The numerical value of "000 lm Type" written in this catalog on each page is only there as a reference for easier organization of our products. For the exact lumen output please refer to the specs written for each individual model number written in the catalog.

Help industrial save energy and increase productivity

Production Line / Stock Room

High Bay Ensures brightness even with high ceilings, and realizes significant energy saving



High Bay UFO



LED G13 Batten



LED G13 Recessed

Parking

iD Series

High efficiency, significant energy use reduction



iD Series Rain Proof

Street Light

Long life span of 50000Hours, reducing maintenance work



Street Light S3

Flood Light

Flood Light can be used in various environments



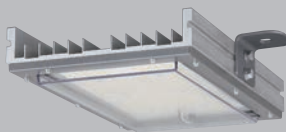
Flood Light

Special Environment

High Bay Designed to work even with a hoist crane



High Temperature Type



Vibration Type



Down Light Waterproof

Clean Room Designed to be resistant against salt damage



HACCP & Clean Food Series

Help office save energy and increase productivity

Office Room

Panel Light

Slim design and wide spreading light can fit to various kind of office



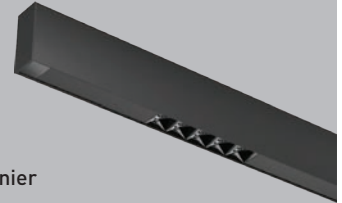
Panel Rectangular Type



Panel Square Type

Pendant Linear

Minimalist design creates elegant style



Pendant Linier

Base Light

Lighting fixtures with a wide range of variations



iD Series Batten Type



iD Series V-Shape Type



iD Series Reflector Type



iD Series Recessed Type

Down Light

Lighting with downlights creates a beautiful space



Down Light I-Series



Down Light J-Series



Down Light Glare Cut 30°

Outdoor Lighting

iD Series

High efficiency, significant energy use reduction



iD Series Rain Proof

Street Light

Long life span of 50000Hours, reducing maintenance work



Street Light S3

Flood Light

Flood Light can be used in various environments

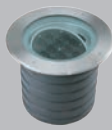


Flood Light

Decorative Lighting Designed to be RGB Product



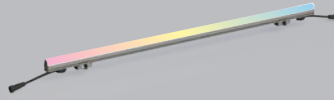
Spot Light



Inground Type



Wall Washer



Outline Type



Step Light



Bollard

Help infrastructure save energy and increase lighting

Infrastructure

Street Light High efficacy and low maintenance work



Street Light



Solar Street Light

Flood Light Lighting fixtures can use pools and stadium



High Lumen Anti Chlorine



High Lumen Stadium

Help commercial save energy and increase beauty space

Shop

Down Light Lighting with downlights creates a beautiful space



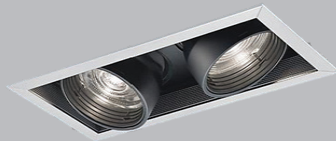
Down Light I-Series



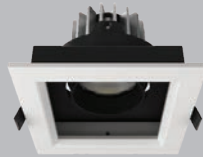
Down Light J-Series



Down Light a Series



System Light Tolso



System Light

Corner



Glareless Down Light



Down Light Glare Cut 30°



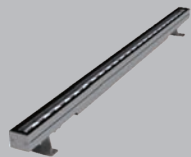
Down Light Soft Edge

Outdoor Lighting

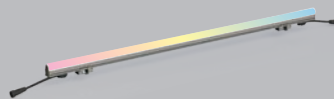
Decorative Lighting Designed to be RGB Product



Spot Light



Wall Washer



Outline Type



Bollard



General Down Light

Down Light I-Series



Specification

Life Time	: 40.000hr
Input Voltage	: AC220-242V
Frequency	: 50/60Hz
Power Factor	: 0.90
CRI	: 80
Glare Cut	: 15°
Ambient Temperature	: 5°C until 35°C

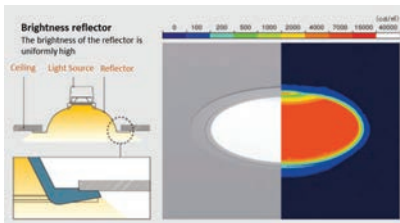
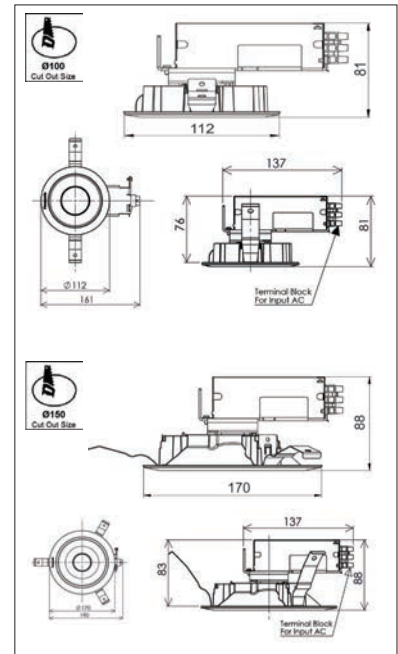
Silver Specular Finish

Body : Painted Aluminum Die-cast Cool White
 Reflector : Anodized Aluminum Specular
 Frame : Painted Aluminum Die-cast Cool White
 Cool White Finish

Body : Painted Aluminum Die-cast Cool White
 Reflector : Painted Aluminum Die-cast Cool White
 Frame : Painted Aluminum Die-cast Cool White



Dimension









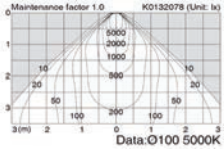
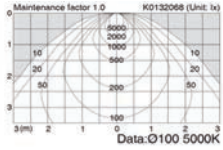
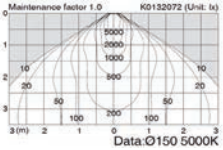
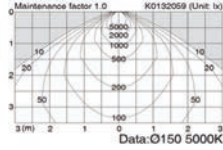


1000lm type









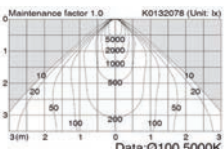
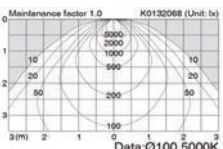
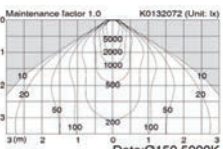
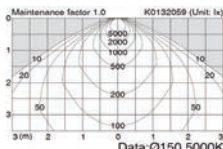
Cut Out	Ø100		Ø150	
Beam Angle				
Wattage	10W	10W	10W	10W
5000K	NNP72245 1045lm-104lm/W	NNP72237 1060lm-106lm/W	NNP72430 1070lm-107lm/W	NNP72434 1050lm-104lm/W
4000K	NNP72234 1035lm-103lm/W	NNP72238 1055lm-105lm/W	NNP72431 1060lm-106lm/W	NNP72435 1040lm-104lm/W
3500K	NNP72235 1010lm-101lm/W	NNP72239 1030lm-103lm/W	NNP72432 1040lm-104lm/W	NNP72436 1015lm-101lm/W
3000K	NNP72236 985lm-98lm/W	NNP72240 1000lm-100lm/W	NNP72442 1010lm-101lm/W	NNP72437 985lm-98lm/W

Down Light I-Series

1500lm type

Cut Out	Ø100		Ø150	
Beam Angle				
Wattage	15W	15W	15W	15W
5000K 	NNP73226 1565lm-104lm/W	NNP73230 1570lm-104lm/W	NNP73425 1645lm-109lm/W	NNP73429 1585lm-105lm/W
4000K 	NNP73227 1550lm-103lm/W	NNP73231 1559lm-103lm/W	NNP73426 1630lm-108lm/W	NNP73442 1570lm-104lm/W
3500K 	NNP73228 1525lm-101lm/W	NNP73232 1530lm-102lm/W	NNP73427 1600lm-106lm/W	NNP73438 1540lm-102lm/W
3000K 	NNP73229 1415lm-94lm/W	NNP73238 1475lm-98lm/W	NNP73428 1540lm-102lm/W	NNP73439 1485lm-99lm/W
				

2000lm type

Cut Out	Ø100		Ø150	
Beam Angle				
Wattage	20.5W	20.5W	20.5W	20.5W
5000K 	NNP74225 2085lm-101lm/W	NNP74229 2085lm-101lm/W	NNP74426 2195lm-107lm/W	NNP74430 2110lm-102lm/W
4000K 	NNP74226 2060lm-100lm/W	NNP74230 2060lm-100lm/W	NNP74427 2170lm-105lm/W	NNP74431 2085lm-101lm/W
3500K 	NNP74227 2020lm-98lm/W	NNP74231 2020lm-98lm/W	NNP74428 2125lm-103lm/W	NNP74432 2045lm-99lm/W
3000K 	NNP74228 1965lm-95lm/W	NNP74232 1965lm-95lm/W	NNP74429 2060lm-100lm/W	NNP74433 1985lm-96lm/W
				

Down Light α Series



Specification

Life Time : 40.000hr
 Input Voltage : AC 220-242V
 Frequency : 50/60Hz
 Power Factor : 0.85
 CRI : 80
 Ambient Temperature : 5°C until 30°C

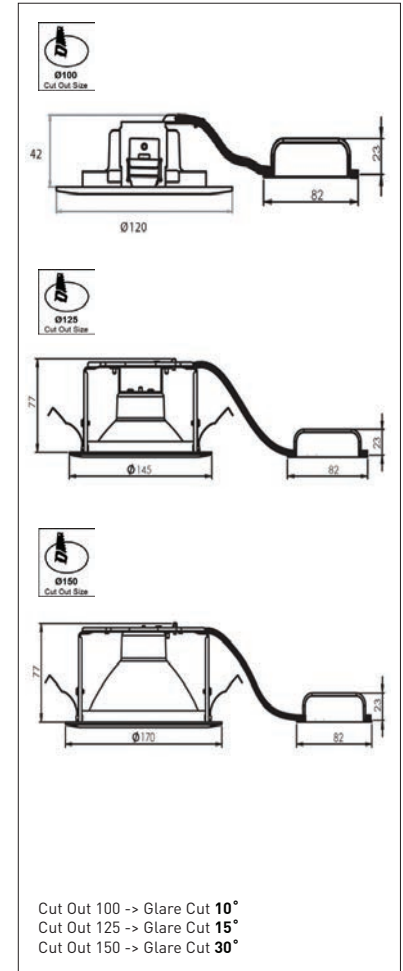
Silver Specular Finish
 Body : Galvanized Steel
 Reflector : Painted Steel Cool White
 Frame : Anodized Aluminum Specular Cool White Finish
 Body : Galvanized Steel
 Reflector : Painted Steel Cool White
 Frame : Anodized Aluminum Cool White



Application





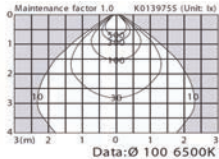
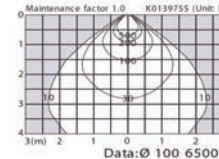
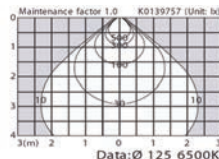
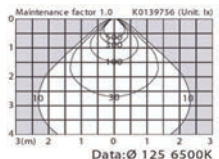


Dimension







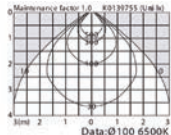
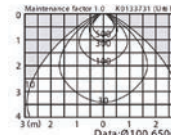
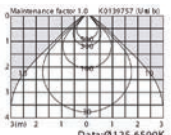
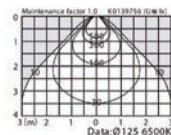
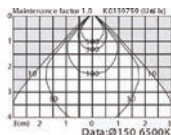
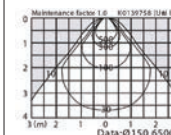


Down Light α Series

500lm type

Cut Out	Ø100		Ø150	
Beam Angle				
Wattage	5.5W	5.5W	5.5W	5.5W
6500K	NNP71235 435lm-79lm/W	NNP71247 435lm-79lm/W	NNP71335 425lm-77lm/W	NNP71336 425lm-77lm/W
5000K	-	NNP71246 435lm-79lm/W	-	NNP71333 425lm-77lm/W
4000K	-	NNP71245 435lm-79lm/W	-	NNP71332 425lm-77lm/W
2700K	NNP71230 415lm-75lm/W	NNP71244 415lm-75lm/W	NNP71330 405lm-73lm/W	NNP71331 405lm-73lm/W
				

700lm type

Cut Out	Ø100		Ø125		Ø150	
Beam Angle						
Wattage	8.6W	8.6W	8.6W	8.6W	8.6W	8.6W
6500K	NNP72285 735lm-85lm/W	NNP72286 735lm-85lm/W	NNP72385 735lm-85lm/W	NNP72386 735lm-85lm/W	NNP72485 735lm-85lm/W	NNP72486 735lm-85lm/W
5000K	-	NNP72253 735lm-85lm/W	-	NNP72353 735lm-85lm/W	-	NNP72453 735lm-85lm/W
4000K	-	NNP72243 735lm-85lm/W	-	NNP72343 735lm-85lm/W	-	NNP72443 735lm-85lm/W
2700K	NNP72280 705lm-82lm/W	NNP72281 700lm-81lm/W	NNP72380 705lm-82lm/W	NNP72381 700lm-81lm/W	NNP72480 705lm-82lm/W	NNP72481 700lm-81lm/W
						

Down Light Glare Cut 30°



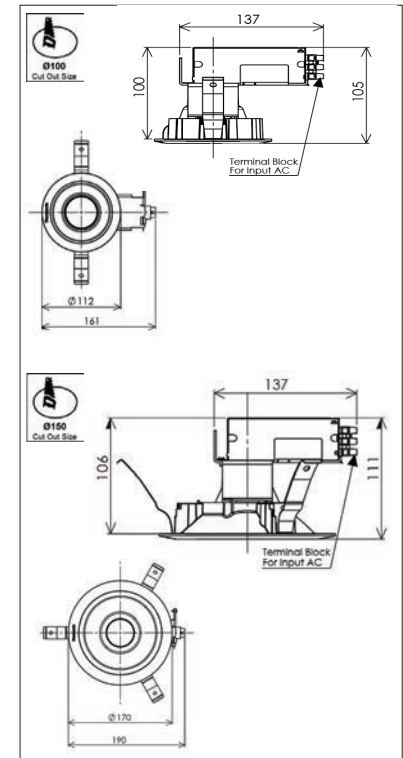
Specification

Life Time : 40.000hr
 Input Voltage : AC 220-242V
 Frequency : 50/60Hz
 Power Factor : 0.90
 CRI : 80
 Ambient Temperature : 5°C until 30°C

Body : Aluminum Die-cast
 Reflector : Anodized Aluminum Specular
 Frame : Painted Aluminum Die-cast



Dimension



Application



Cut Out	Ø100			Ø150		
Beam Angle						
Wattage	20.5W	15W	10W	20.5W	15W	10W
5000K	NNP74233 2040lm-99lm/W	NNP73234 1645lm-109lm/W	NNP72241 925lm-92lm/W	NNP74434 2005lm-97lm/W	NNP73440 1490lm-99lm/W	NNP72438 1000lm-100lm/W
4000K	NNP74234 2015lm-98lm/W	NNP73235 1630lm-108lm/W	NNP72242 920lm-91lm/W	NNP74435 1985lm-96lm/W	NNP73434 1475lm-98lm/W	NNP72439 990lm-99lm/W
3500K	NNP74235 1975lm-96lm/W	NNP73236 1600lm-106lm/W	NNP72246 895lm-89lm/W	NNP74436 1945lm-94lm/W	NNP73441 1450lm-96lm/W	NNP72440 970lm-97lm/W
3000K	NNP74236 1915lm-93lm/W	NNP73237 1540lm-102lm/W	NNP72244 875lm-87lm/W	NNP74437 1855lm-95lm/W	NNP73443 1400lm-93lm/W	NNP72441 940lm-94lm/W

Down Light Soft Edge Series



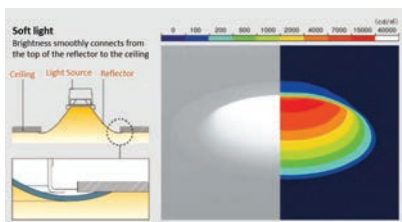
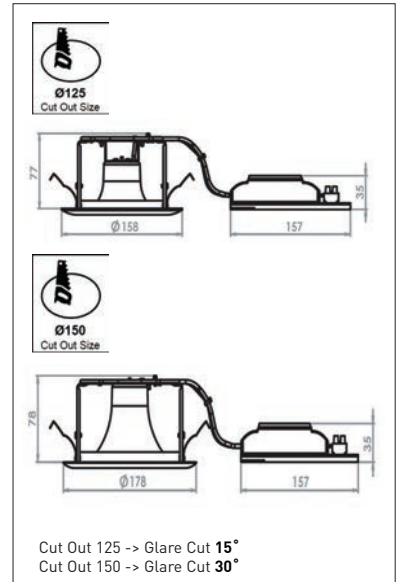
Specification

Life Time : 40.000hr
 Input Voltage : AC 220-242V
 Frequency : 50/60Hz
 Power Factor : 0.85
 CRI : 80
 Ambient Temperature : 5°C until 30°C

Body : Galvanized Steel
 Frame : Painted Aluminum Cool White



Dimension



Application



Cut Out	Ø125	Ø150	Ø125	Ø150
Wattage	8.6W	8.6W	14.4W	14.4W
5000K	NNP72375 580lm-70lm/W	NNP72475 580lm-70lm/W	NNP73375 860lm-59lm/W	NNP73475 860lm-59lm/W
4000K	NNP72374 570lm-66lm/W	NNP72474 570lm-66lm/W	NNP73374 850lm-59lm/W	NNP73474 850lm-59lm/W
3000K	NNP72373 560lm-65lm/W	NNP72473 560lm-65lm/W	NNP73373 840lm-58lm/W	NNP73473 840lm-58lm/W
Photometric Distribution				



Special Down Light

Down Light Waterproof



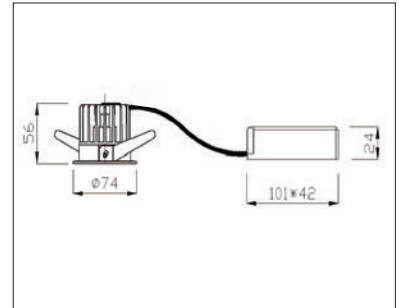
Specification

Life Time : 30.000hr
 Input Voltage : AC 110-240V
 Frequency : 50/60Hz
 Power Factor : 0.85
 CRI : 80
 Ambient Temperature : -20°C until 40°C

Body : ADC
 Diffuse : Polycarbonate
 Driver : Included



Dimension



Application



Cut Out	Ø65	
Beam Angle		
Wattage	12W	12W
4000K ○	NNP73184031 950lm-79lm/W	NNP73186031 950lm-79lm/W
3000K ●	NNP73183031 950lm-79lm/W	NNP73185031 950lm-79lm/W
2700K ●	-	NNP73187031 950lm-79lm/W

Down Light J-Series



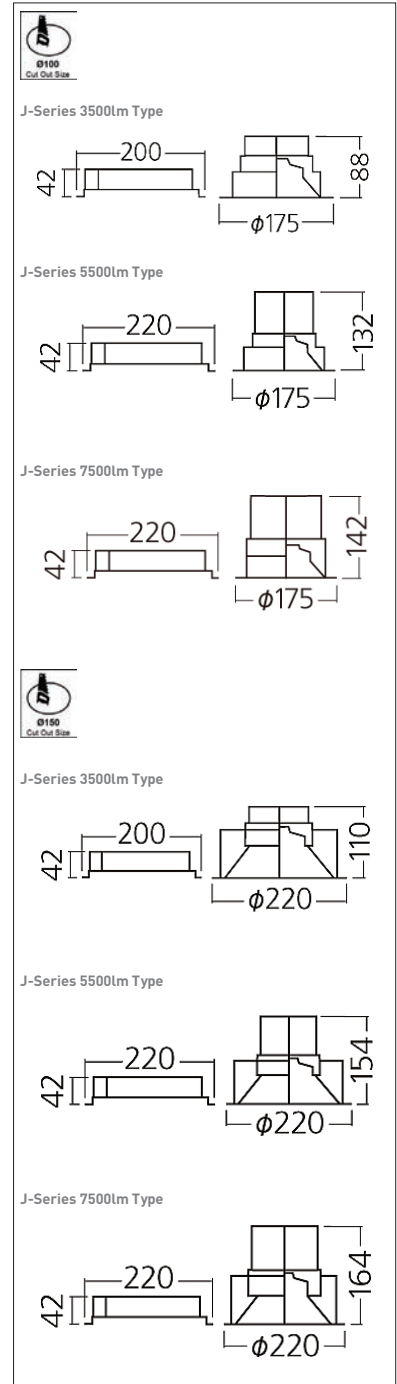
Specification

Life Time	: 60.000hr
Input Voltage	: AC 100-242V
Frequency	: 50/60Hz
Power Factor	: 0.85
CRI	: 85
Ambient Temperature	: 5°C until 35°C

Body : Aluminum
 Diffuse : Polycarbonate
 Driver : Included
 Dimming : PWM Dimming



Dimension



HID ► LED

We recommend that the existing HID Downlights used for many years be renewed to LED Downlights!











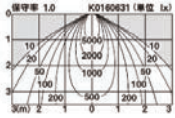
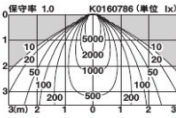
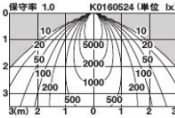
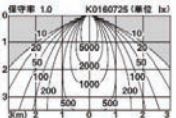
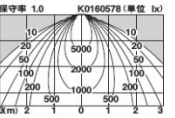
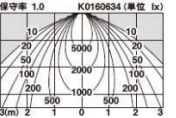


- Compared with conventional HID appliances, energy saving is approximately 65%.
- Maintenance-free Long life 60,000 hours with no need for auto lifter, reducing maintenance
- Instantaneous lighting and re-lighting are possible.
- Dimming function installed Adjustable brightness to the required level for further energy savings
- Excellent color reproducibility High color rendering performance with an average color rendering index of Ra85
- Abundant line-up Appropriate lighting is possible according to the location and purpose of use.

Application



Down Light J-Series

Type	J-series 3500lm		J-series 5500lm		J-series 7500lm	
Cut Out	Ø150	Ø200	Ø150	Ø200	Ø150	Ø200
Beam Angle						
Wattage	30.7W	30.7W	42.4W	42.4W	59.1W	59.1W
5000K 	XND3560SNLZ9031 3990lm-129.9lm/W	XND3580SNLZ9031 3985lm-129.8lm/W	XND5560SNLZ9031 5690lm-134.2lm/W	XND5580SNLZ9031 5665lm-133.6lm/W	XND7560SNLZ9031 7940lm-134.4lm/W	XND7580SNLZ9031 7820lm-132.3lm/W
4000K 	XND3560SWLZ9031 3955lm-128.8lm/W	XND3580SWLZ9031 3950lm-128.7lm/W	XND5560SWLZ9031 5640lm-133.0lm/W	XND5580SWLZ9031 5620lm-132.6lm/W	XND7560SWLZ9031 7875lm-133.3lm/W	XND7580SWLZ9031 7755lm-131.2lm/W
3500K 	XND3560SVLZ9031 3925lm-127.9lm/W	XND3580SVLZ9031 3920lm-127.7lm/W	XND5560SVLZ9031 5595lm-131.9lm/W	XND5580SVLZ9031 5575lm-131.5lm/W	XND7560SVLZ9031 7815lm-132.2lm/W	XND7580SVLZ9031 7695lm-130.2lm/W
3000K 	XND3560SLLZ9031 3755lm-122.3lm/W	XND3580SLLZ9031 3750lm-122.2lm/W	XND5560SLLZ9031 5350lm-126.2lm/W	XND5580SLLZ9031 5330lm-125.7lm/W	XND7560SLLZ9031 7470lm-126.4lm/W	XND7580SLLZ9031 7355lm-124.5lm/W
						

System Light TOLSO Series



Specification

Life Time : 40.000hr
Input Voltage : AC 100-240V
Frequency : 50/60Hz
Power Factor : 0.85
CRI : 85
Ambient Temperature : -20°C until 40°C

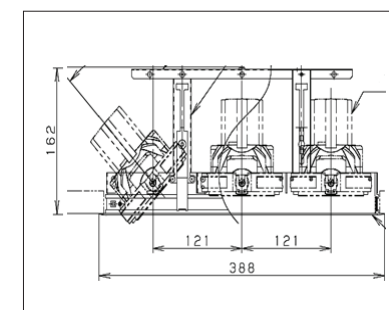
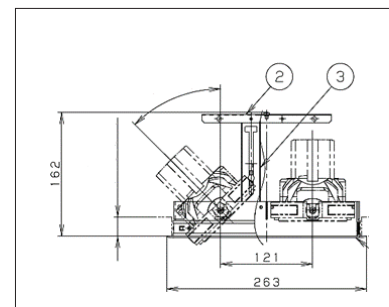
Body : ADC
Diffuse : Polycarbonate
Driver : Included
Dimming : PWM Dim

Multiple lamps are put together in a box to create a clean ceiling surface. The compact size and reduced glare suppress the presence of equipment and produce a calm space.

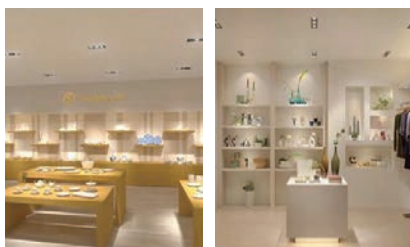
Directly combined with lamps. In combination with various lamps, it is possible to produce freely according to the space and scene.



Dimension





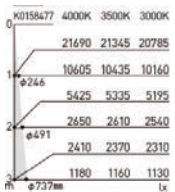
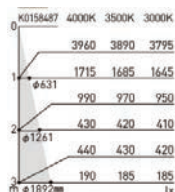
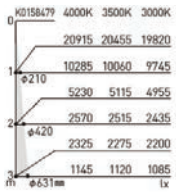
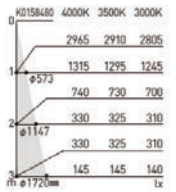


Application





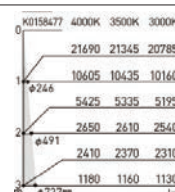
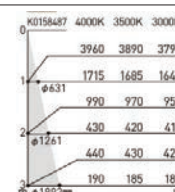
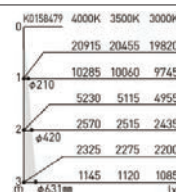
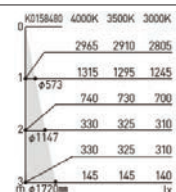


System Light TOLSO Series

2 Lamps

Type	2 x 1700lm	2 x 1700lm	2 x 1100lm	2 x 1100lm
Beam Angle				
Wattage	37.8W	37.8W	30.8W	30.8W
4000K ○	XNTS52461DLZ9031 3110lm-82.3lm/W	XNTS52481DLZ9031 3380lm-89.4lm/W	XNTS51411DLZ9031 2290lm-74.4lm/W	XNTS51431DLZ9031 2250lm-73.1lm/W
3500K ●	XNTS52462DLZ9031 3060lm-80.9lm/W	XNTS52482DLZ9031 3320lm-87.8lm/W	XNTS51412DLZ9031 2240lm-72.7lm/W	XNTS51432DLZ9031 2210lm-71.8lm/W
3000K ●	XNTS52463DLZ9031 2980lm-78.8lm/W	XNTS52483DLZ9031 3240lm-85.7lm/W	XNTS51413DLZ9031 2170lm-70.5lm/W	XNTS51433DLZ9031 2130lm-69.2lm/W
				

3 Lamps

Type	3 x 1700lm	3 x 1700lm	3 x 1100lm	3 x 1100lm
Beam Angle				
Wattage	56.7W	56.7W	46.2W	46.2W
4000K ○	XNTS52461TLZ9031 4665lm-82.3lm/W	XNTS52481TLZ9031 5070lm-89.4lm/W	XNTS51411TLZ9031 3435lm-74.4lm/W	XNTS51431TLZ9031 3375lm-73.1lm/W
3500K ●	XNTS52462TLZ9031 4590lm-80.9lm/W	XNTS52482TLZ9031 4980lm-87.8lm/W	XNTS51412TLZ9031 3360lm-72.7lm/W	XNTS51432TLZ9031 3315lm-71.8lm/W
3000K ●	XNTS52463TLZ9031 4470lm-78.8lm/W	XNTS52483TLZ9031 4860lm-85.7lm/W	XNTS51413TLZ9031 3255lm-70.5lm/W	XNTS51433TLZ9031 3195lm-69.2lm/W
				

System Light

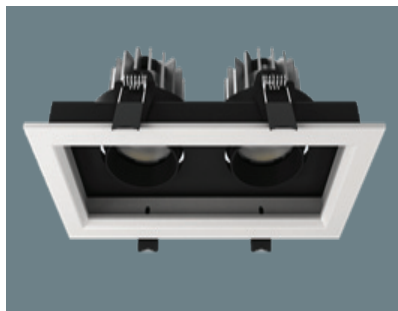
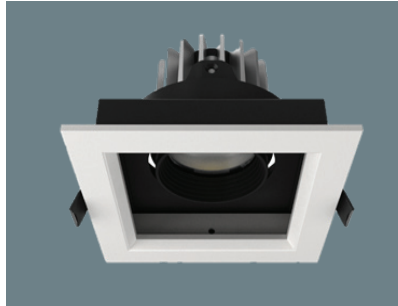


Specification

Life Time : 30.000hr
 Input Voltage : AC 110-240V
 Frequency : 50/60Hz
 Power Factor : 0.85
 CRI : 85
 Ambient Temperature : -20°C until 40°C

Body : ADC
 Diffuse : Polycarbonate
 Driver : Included

Application



Dimension

Type	W	L	H
1 Lamp 	113mm	113mm	80mm
1 Lamp 	140mm	140mm	97mm
2 Lamps 	113mm	216mm	80mm
2 Lamps 	140mm	275mm	97mm

Type	System Light 1 Lamp		System Light 2 Lamps	
Cut Out	Ø125	Ø100	2X Ø125	2X Ø100
Wattage	18W	12W	36W	24W
4000K ○	NNP24922031 1150lm-63.9lm/W	NNP22922031 790lm-65.8lm/W	NNP24932031 2300lm-63.9lm/W	NNP22942031 1580lm-65.8lm/W
3500K ●	NNP24912031 1150lm-63.9lm/W	NNP22912031 790lm-65.8lm/W	NNP24942031 2300lm-63.9lm/W	NNP22932031 1580lm-65.8lm/W

Down Light Glareless Family



Specification

Life Time : 30.000hr
 Input Voltage : AC 110-240V
 Frequency : 50/60Hz
 Power Factor : 0.85
 CRI : 90
 Ambient Temperature : -20°C until 40°C

Body : ADC
 Diffuse : Polycarbonate
 Driver : Included
 Dimming : Phase Cut Dim

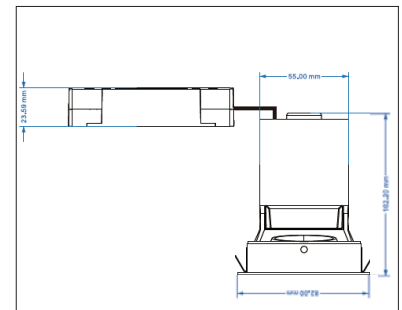
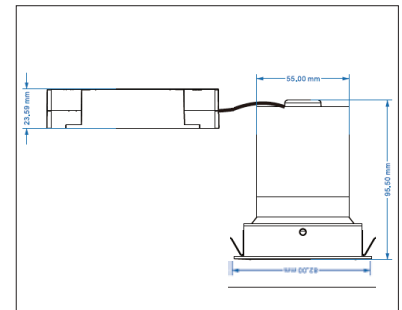
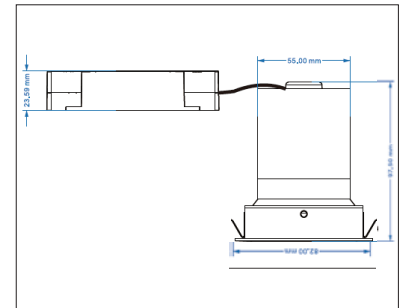
LED Glareless optical design provides smooth and beautiful light and light distribution angles for applications.

A thin reflector frame that sticks to the thickness of the ceiling surface will look beautiful from the bottom.

Application

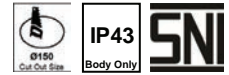


Dimension



Type	Fixed Glareless		Fixed Pinhole		Adjustable Glareless	
Cut Out	Ø75					
Beam Angle						
Wattage	9W	9W	9W	9W	9W	9W
4000K ○	NNP73292K031 600lm-66.67lm/W	NNP73294K031 600lm-66.67lm/W	NNP73296K031 380lm-42.23lm/W	NNP73298K031 380lm-42.23lm/W	NNP23292K031 490lm-54.45lm/W	NNP23294K031 490lm-54.45lm/W
3000K ●	NNP73291K031 600lm-66.67lm/W	NNP73293K031 600lm-66.67lm/W	NNP73295K031 380lm-42.23lm/W	NNP73297K031 380lm-42.23lm/W	NNP23291K031 490lm-54.45lm/W	NNP23293K031 490lm-54.45lm/W
2700K ●	-	NNP73290K031 600lm-66.67lm/W	-	-	NNP23290K031 490lm-54.45lm/W	-

Down Light Outdoor



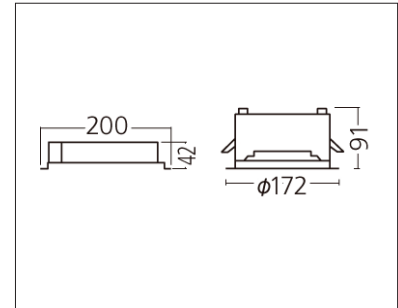
Specification

Life Time : 60.000hr
 Input Voltage : AC 110-240V
 Frequency : 50/60Hz
 Power Factor : 0.85
 CRI : 85
 Ambient Temperature : 5°C until 35°C

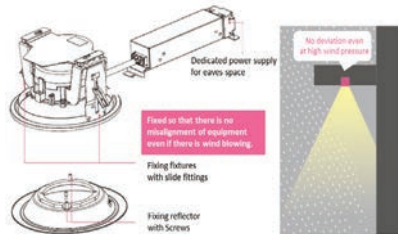
Body : ADC
 Diffuse : Polycarbonate
 Driver : Integrated



Dimension



LED downlight for eaves Equipped with excellent environmental resistance for eaves, creating a high-quality light space. Dedicated quality for eaves uses a dedicated power supply that supports the space under the eaves where condensation may occur due to temperature differences from the outside air. In addition, it is designed so that there is no misalignment of the instrument even if there is blowing due to wind and rain, by fixing the instrument with slide fittings and fixing the reflector with screws.



Application



Cut Out	Ø150		
Beam Angle			
Wattage	15.9W	13W	7.7W
5000K	NDW26610LE9031 1780lm-111.9lm/W	NDW17610LE9031 1425lm-109.6lm/W	NDW16610LE9031 890lm-115.6lm/W
4000K	NDW26611LE9031 1770lm-111.3lm/W	NDW17611LE9031 1420lm-109.2lm/W	NDW16611LE9031 890lm-115.6lm/W
3500K	NDW26612LE9031 1740lm-109.4lm/W	NDW17612LE9031 1390lm-106.9lm/W	NDW16612LE9031 870lm-112.9lm/W
3000K	NDW26613LE9031 1710lm-107.6lm/W	NDW17613LE9031 1370lm-105.4lm/W	NDW16613LE9031 855lm-111.0lm/W

Down Light LED Outbow AERO

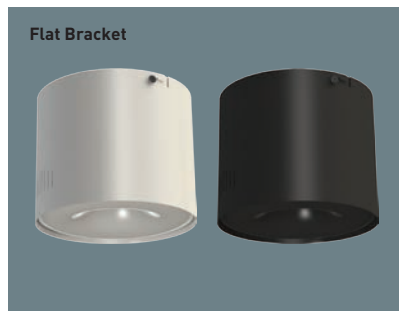
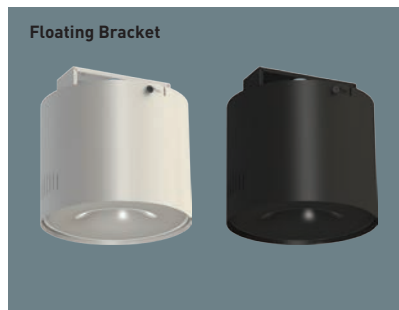


Specification

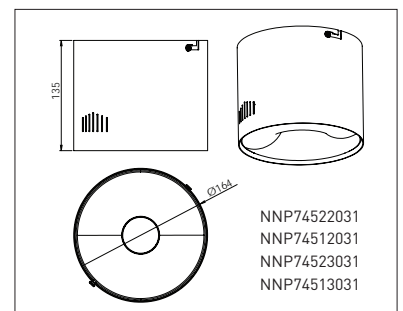
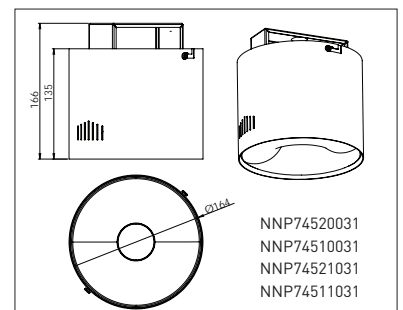
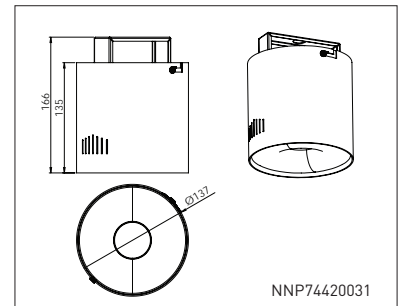
Life Time	: 40.000hr
Input Voltage	: AC 220-240V
Frequency	: 50/60Hz
Power Factor	: 0.92
CRI	: 80
Ambient Temperature	: 5°C until 30°C

Body : Aluminium
 Diffuse : Polycarbonate
 Driver : Integrated

Application



Dimension



Type	Floating Bracket	Floating Bracket	Flat Bracket	Flat Bracket
Color	White Color	Black Color	White Color	Black Color
Wattage	20W	20W	20W	20W
4000K ○	NNP74420031 2.000lm-100lm/W (Ø137)	-	-	-
4000K ○	NNP74520031 2.000lm-100lm/W (Ø164)	NNP74521031 2.000lm-100lm/W (Ø164)	NNP74522031 2.000lm-100lm/W (Ø164)	NNP74523031 2.000lm-100lm/W (Ø164)
3500K ●	NNP74510031 2.000lm-100lm/W (Ø164)	NNP74511031 2.000lm-100lm/W (Ø164)	NNP74512031 2.000lm-100lm/W (Ø164)	NNP74513031 2.000lm-100lm/W (Ø164)

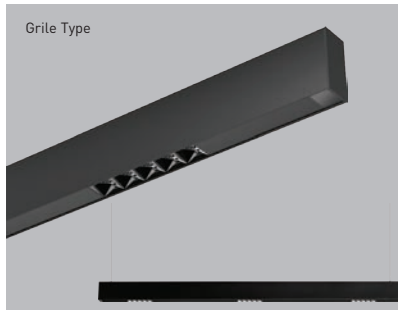
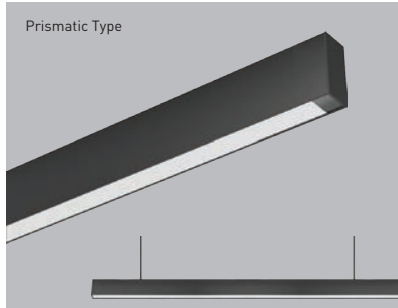
LED Pendant Linier



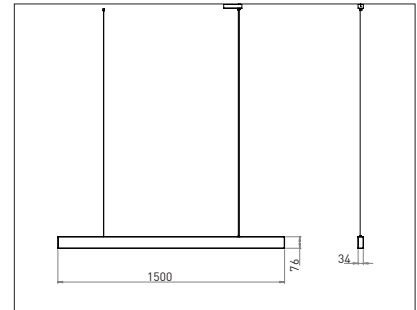
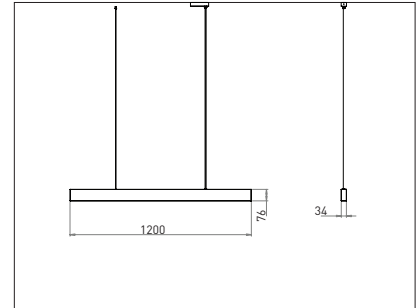
Specification

Life Time : 50.000hr
 Input Voltage : AC 220-240V
 Frequency : 50/60Hz
 Power Factor : 0.9
 CRI : 90
 Ambient Temperature : -20 until 40°C

Body : Aluminium Extrusion
 Driver : Included



Dimension



Beam Angle			
Wattage	20W	30W	40W
4000K ○	NNP94421031 1.530lm Grille Type	NNP95421031 2.250lm Grille Type	NNP95521031 3.240lm Grille Type
3000K ●	NNP94411031 1.485lm Grille Type	NNP95411031 2.160lm Grille Type	NNP95511031 3.150lm Grille Type
2700K ●	NNP94401031 1.350lm Grille Type	NNP95401031 2.070lm Grille Type	NNP95501031 3.060lm Grille Type

Beam Angle						
Wattage	4-20W	5-30W	7-40W	20W	30W	40W
3000K-5700K ●	NNP94430031 250lm-1.650lm Prismatic Dimmable & Changeable CCT	NNP95430031 420lm-2.800lm Prismatic Dimmable & Changeable CCT	NNP95530031 570lm-3.800lm Prismatic Dimmable & Changeable CCT	-	-	-
4000K ○	-	-	-	NNP94420031 1.530lm Prismatic Type	NNP95420031 2.900lm Prismatic Type	NNP95520031 3.510lm Prismatic Type
3000K ●	-	-	-	NNP94410031 1.485lm Prismatic Type	NNP95410031 2.520lm Prismatic Type	NNP95510031 3.420lm Prismatic Type
2700K ●	-	-	-	NNP94400031 1.350lm Prismatic Type	NNP95400031 2.340lm Prismatic Type	NNP95500031 3.285lm Prismatic Type

Spot Light

LED Spot Track Light

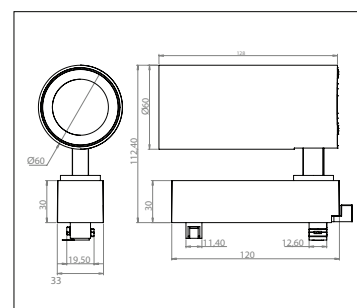
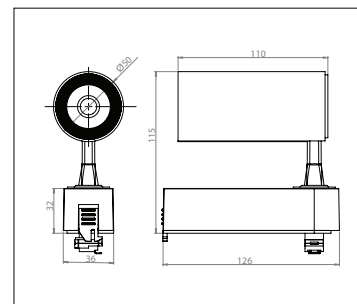


Specification

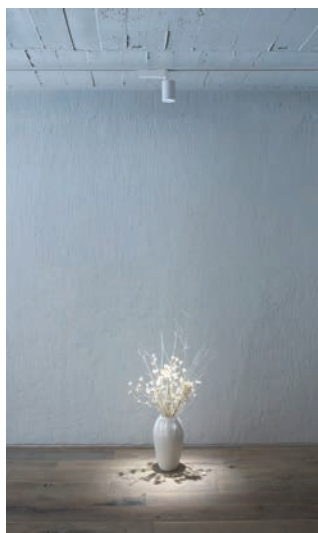
Life Time : 30.000hr
 Input Voltage : AC220-240V
 Frequency : 50/60Hz
 CRI : 90
 Ambient Temperature : -20 until 40°C

Fixture Body : ADC
 Diffuse : Polycarbonate
 Driver : Included

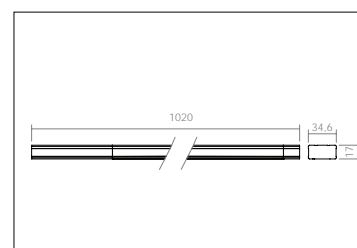
Dimension



Application



Track Rail Accessories



Track Rail Accessories

Color	Black	White
	YNP9010BL 1020 X 35 X 17mm, 220-240V AC, Max. for 160W, IP20	YNP9010WH 1020 X 35 X 17mm, 220-240V AC, Max. for 160W, IP20

LED Spot Track Light

Beam						
Wattage	12W	12W	12W	20W	20W	20W
3000K ●	NNP03011031 1000lm-83lm/W, White	NNP03013031 1000lm-83lm/W, White	NNP03015031 1000lm-83lm/W, White	NNP04111031 1700lm-85lm/W, White	NNP04113031 1700lm-85lm/W, White	NNP04115031 1700lm-85lm/W, White
	NNP03012031 1000lm-83lm/W, Black	NNP03014031 1000lm-83lm/W, Black	NNP03111031 1000lm-83lm/W, Black	NNP04112031 1700lm-85lm/W, Black	NNP04114031 1700lm-85lm/W, Black	NNP04411031 1700lm-85lm/W, Black
4000K ○	NNP03021031 1000lm-83lm/W, White	NNP03023031 1000lm-83lm/W, White	NNP03025031 1000lm-83lm/W, White	NNP04121031 1700lm-85lm/W, White	NNP04123031 1700lm-85lm/W, White	NNP04125031 1700lm-85lm/W, White
	NNP03022031 1000lm-83lm/W, Black	NNP03024031 1000lm-83lm/W, Black	NNP03026031 1000lm-83lm/W, Black	NNP04122031 1700lm-85lm/W, Black	NNP04124031 1700lm-85lm/W, Black	NNP04126031 1700lm-85lm/W, Black

LED G13 Reflector Type W1200mm



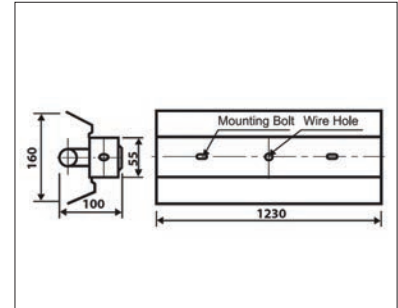
Specification

Life Time : 50.000hr
 Input Voltage : AC 220-240V
 Frequency : 50/60Hz
 Power Factor : 0.90
 CRI : 80
 Ambient Temperature : 5°C until 30°C

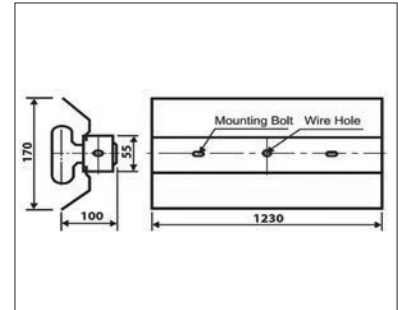
Body : Painted Steel White



Dimension



Application



Type	1 Lamp		2 Lamps	
Wattage	16W	12W	16W	12W
6500K ●	XNP84940 1x2100lm-131lm/W	XNP84941 1x1600lm-130lm/W	XNP84942 2x2100lm-131lm/W	XNP84943 2x1600lm-130lm/W
4000K ○	XNP84920 1x2100lm-131lm/W	XNP84921 1x1600lm-130lm/W	XNP84922 2x2100lm-131lm/W	XNP84923 2x1600lm-130lm/W

LED G13

Batten Type W1200mm



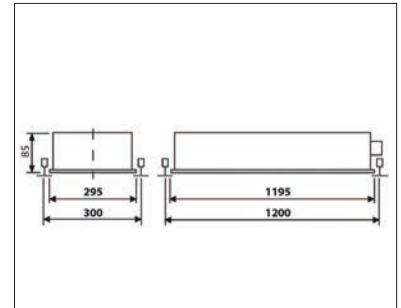
Specification

Life Time : 50.000hr
 Input Voltage : AC 220-242V
 Frequency : 50/60Hz
 Power Factor : 0.90
 CRI : 80
 Ambient Temperature : 5°C until 30°C

Body : Painted Steel White



Dimension



Application



Type	2Lamps LED G13	
Wattage	16W	12W
6500K ●	XNP84948 2x2100lm-131lm/W	XNP84949 2x1600lm-130lm/W
4000K ○	XNP84928 2x2100lm-131lm/W	XNP84929 2x1600lm-130lm/W

Panel Retangular Type



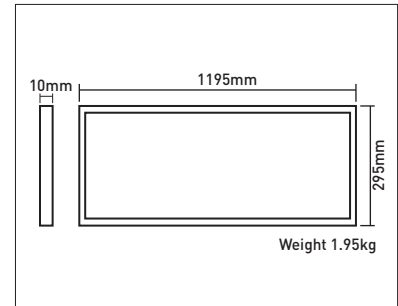
Specification

Life Time : 50.000hr
 Input Voltage : AC 220-240V
 Frequency : 50/60Hz
 Power Factor : 0.90
 CRI : 80
 Ambient Temperature : 5°C until 30°C

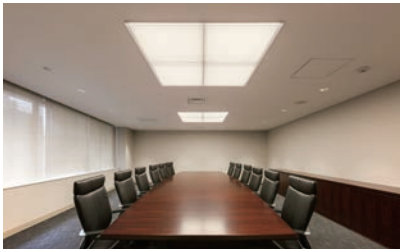
Body : Painted Polycarbonate White
 Frame : Painted Aluminum Extruded White
 Installation : Fit Into T-Bar 300 x 1200mm



Dimension



Application



Wattage	30W	40W
6500K ●	NNP82450 3300lm-110lm/W	NNP85450 3600lm-90lm/W
4000K ○	NNP82420 3300lm-110lm/W	NNP85420 3600lm-90lm/W

Panel Square Type



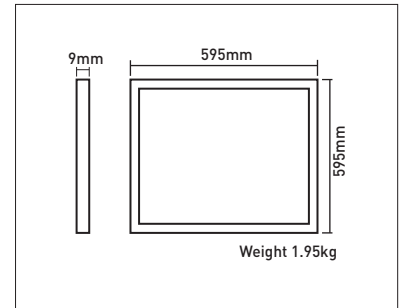
Specification

Life Time : 50.000hr
 Input Voltage : AC 220-240V
 Frequency : 50/60Hz
 Power Factor : 0.90
 CRI : 80
 Ambient Temperature : 5°C until 30°C

Body : Painted Polycarbonate White
 Frame : Painted Aluminum Extruded White
 Installation : Fit Into T-Bar 600 x 600mm



Dimension



Application



Wattage	30W	40W
6500K ●	NNP82250 3300lm-110lm/W	NNP85250 3600lm-90lm/W
4000K ○	NNP82220 3300lm-110lm/W	NNP85220 3600lm-90lm/W



Special Base Light

iD series

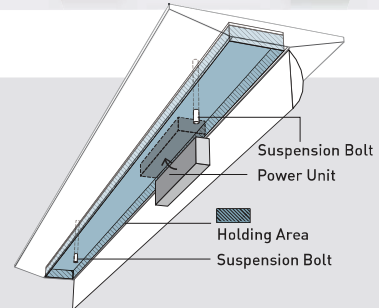
Special Base Light

A unique design made to achieve a beautiful and even light.



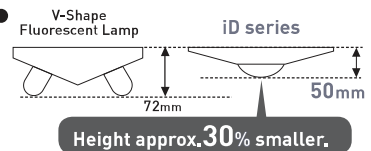
Holding area for suspension

- Created a space within the body of the fixture so that the fixture can be suspended without interfering with the power unit.



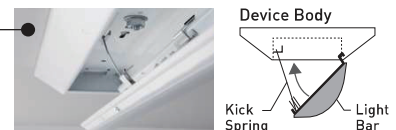
Height, 50 mm, Approximately 30% Smaller

- Compared to the conventional V-shape lamp, it is approximately 30% smaller. *i-style, D-style

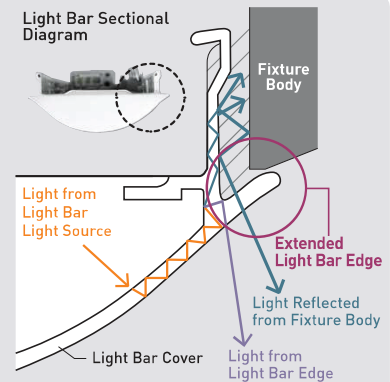


Sleek and stylish design.

- Sleek and stylish design due to there being no screws and latches on the fixture's surface.



- Continuous light emission from the light bar to the fixture body is achieved by the cover edge of the light bar which covers the gap between the light bar and the fixture body.
- Specialized internal coating reduces the amount of light loss with special white coating inside the body of the fixture which redirects the light emitted inside the fixture outwards.



*The sectional diagram is an image only.

Comparison of 'FL36W x 2 lamps' and 'iD series'

	Power consumption	System efficacy	Illuminance distribution chart
2xFL36W V shape	● 80 0 W ●	50 lm/W	<p>Average illuminance: 520 lx Total power consumption: 80 0W x 48 Units=3,840W</p>
D style, 4000 lm, 5000K	▼ 25 0W Approx 68% energy saving	160 lm/W	<p>Average illuminance: 520 lx Total power consumption: 25 0W x 48 Units=1,200W</p>
D style, 6900 lm, 5000K	43 1W ▼ Approx 46% energy saving	160 lm/W	<p>Average illuminance: 548 lx Total power consumption: 43 1W x 30 Units=1,293W</p>

Base Light iD Series 2ft



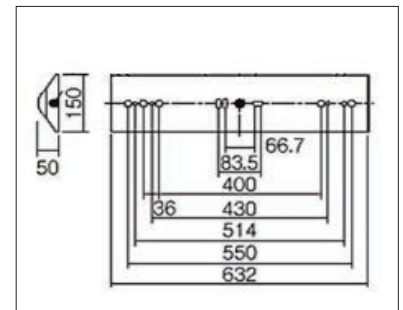
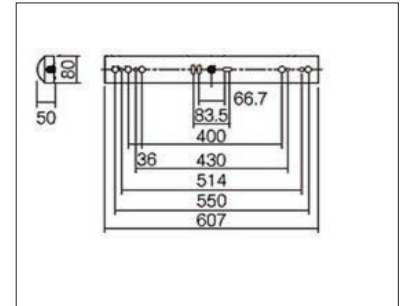
Specification

Life Time : 40.000hr
 Input Voltage : AC 100-242V
 Frequency : 50/60Hz
 Power Factor : 0.90
 CRI : 83
 Ambient Temperature : 5°C until 35°C

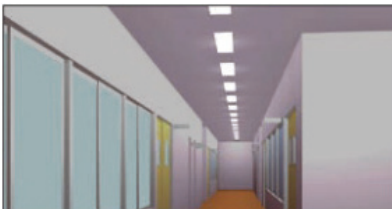
Fixture Body : Steel
 Diffuse : Polycarbonate
 Driver : Integrated



Dimension



Application



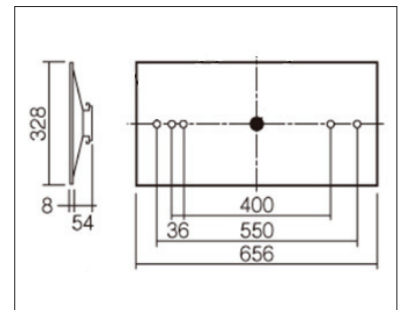
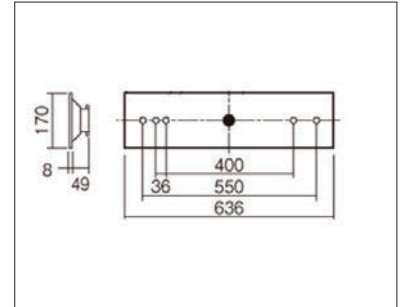
Type	Batten 2ft	V-Shape 2ft
Beam Angle		
Wattage	12.1W	12.1W
Dim	Non Dimmable	Non Dimmable
6500K 	XLX210NEDLE9031 1530lm-126.5lm/W	XLX210AEDLE9031 1530lm-126.5lm/W
5000K 	XLX210NENLE9031 1600lm-132.3lm/W	XLX210AENLE9031 1600lm-132.2lm/W
4000K 	XLX210NEWLE9031 1460lm-120.7lm/W	XLX210AEWLE9031 1460lm-120.7lm/W

Base Light iD Series 2ft



Life Time : 40.000hr
 Input Voltage : AC100-242V
 Frequency : 50/60Hz
 Power Factor : 0.90
 CRI : 83
 Ambient Temperature : 5°C until 35°C

Fixture Body : Steel
 Diffuse : Polycarbonate
 Driver : Integrated
 Dimming : PWM Dim



Application



Type	Recessed Open W150		Recessed Open W300	
Beam Angle				
Wattage	12.1W	12.1W	12.1W	12.1W
Dim	Non Dimmable	Dimmable	Non Dimmable	Dimmable
6500K 	XLX210PEDLE9031 1490lm-123.2lm/W	XLX210PEDLA9031 1490lm-123.2lm/W	XLX210VEDLE9031 1490lm-123.2lm/W	XLX210VEDLA9031 1490lm-123.2lm/W
5000K 	XLX210PENLE9031 1600lm-132.2lm/W	XLX210PENLA9031 1600lm-132.2lm/W	XLX210VENLE9031 1600lm-132.2lm/W	XLX210VENLA9031 1600lm-132.2lm/W
4000K 	XLX210PEWLE9031 1420lm-117.4lm/W	XLX210PEWLA9031 1420lm-117.4lm/W	XLX210VEWLE9031 1420lm-117.4lm/W	XLX210VEWLA9031 1420lm-117.4lm/W

Base Light iD Series Batten 4ft



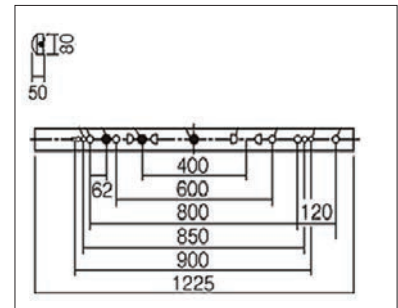
Specification

Life Time : 40.000hr
 Input Voltage : AC100-242V
 Frequency : 50/60Hz
 Power Factor : 0.90
 CRI : 83
 Ambient Temperature : 5°C until 35°C

Fixture Body : Steel
 Diffuse : Polycarbonate
 Driver : Integrayed



Dimension



Type	Batten 4ft			
	6900lm	5200lm	4000lm	2500lm
Beam Angle				
Wattage	43.1W	32.5W	25W	16.3W
Dim	Non Dimmable	Non Dimmable	Non Dimmable	Non Dimmable
6500K 	XLX460NEDZLE9031 6650lm-154.3lm/W	XLX450NEDZLE9031 5010lm-154.2lm/W	XLX440NEDTLE9031 3850lm-154lm/W	XLX420NEDZLE9031 2440lm-149.7lm/W
5000K 	XLX460NENZLE9031 6900lm-160.1lm/W	XLX450NENZLE9031 5200lm-160lm/W	XLX440NENTLE9031 4000lm-160lm/W	XLX420NENZLE9031 2500lm-153.4lm/W
4000K 	XLX460NEWZLE9031 6530lm-151.5lm/W	XLX450NEWZLE9031 4920lm-151.4lm/W	XLX440NEWTLE9031 3780lm-151.2lm/W	XLX420NEWZLE9031 2380lm-146lm/W

Base Light ID Series V-Shape 4ft



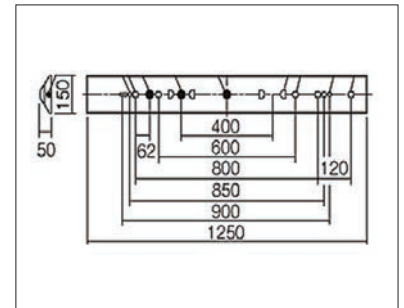
Specification

Life Time : 40.000hr
 Input Voltage : AC100-242V
 Frequency : 50/60Hz
 Power Factor : 0.90
 CRI : 83
 Ambient Temperature : 5°C until 35°C

Fixture Body : Steel
 Diffuse : Polycarbonate
 Driver : Integrayed



Dimension



Type	V-Shape 4ft			
	6900lm	5200lm	4000lm	2500lm
Beam Angle				
Wattage	43.1W	32.5W	25W	16.3W
Dim	Non Dimmable	Non Dimmable	Non Dimmable	Non Dimmable
6500K 	XLX460AEDZLE9031 6650lm-154.3lm/W	XLX450AEDZLE9031 5010lm-154.2lm/W	XLX440AEDTLE9031 3850lm-154lm/W	XLX420AEDZLE9031 2440lm-149.7lm/W
5000K 	XLX460AENZLE9031 6900lm-160.1lm/W	XLX450AENZLE9031 5200lm-160lm/W	XLX440AENTLE9031 4000lm-160lm/W	XLX420AENZLE9031 2500lm-153.4lm/W
4000K 	XLX460AEWZLE9031 6530lm-151.5lm/W	XLX450AEWZLE9031 4920lm-151.4lm/W	XLX440AEWTLE9031 3780lm-151.2lm/W	XLX420AEWZLE9031 2380lm-146lm/W

Base Light iD Series Blackboard 4ft



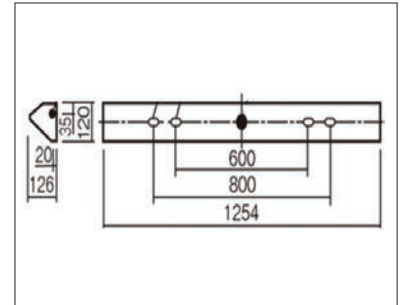
Specification

Life Time : 40.000hr
 Input Voltage : AC100-242V
 Frequency : 50/60Hz
 Power Factor : 0.90
 CRI : 83
 Ambient Temperature : 5°C until 35°C

Fixture Body : Steel
 Diffuse : Polycarbonate
 Driver : Integrayed



Dimension



Type	Blackboard	
	6900lm	5200lm
Beam Angle		
Wattage	43.1W	43.1W
Dim	Non Dimmable	Non Dimmable
6500K 	-	-
5000K 	XLX460BSWZLE9031 6200lm-143.9lm/W	XLX450BSWZLE9031 5870lm-136.2lm/W
4000K 	-	-

Base Light ID Series Reflector 4ft



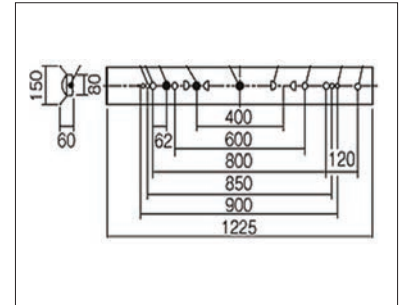
Specification

Life Time : 40.000hr
 Input Voltage : AC100-242V
 Frequency : 50/60Hz
 Power Factor : 0.90
 CRI : 83
 Ambient Temperature : 5°C until 35°C

Fixture Body : Steel
 Diffuse : Polycarbonate
 Driver : Integrated



Dimension



Type	Reflector			
	6900lm	5200lm	4000lm	2500lm
Beam Angle				
Wattage	43.1W	32.5W	25W	16W
Dim	Non Dimmable	Non Dimmable	Non Dimmable	Non Dimmable
6500K 	XLX460KEDZLE9031 6520lm-151.3lm/W	XLX450KEDZLE9031 4910lm-151.1lm/W	XLX440KEDTLE9031 3770lm-150.8lm/W	XLX420KEDZLE9031 2390lm-146.6lm/W
5000K 	XLX460KENZLE9031 6770lm-157.1lm/W	XLX450KENZLE9031 5100lm-156.9lm/W	XLX440KENTLE9031 3920lm-156.8lm/W	XLX420KENZLE9031 2450lm-150.3lm/W
4000K 	XLX460KEWZLE9031 6410lm-148.7lm/W	XLX450KEWZLE9031 4830lm-148.6lm/W	XLX440KEWTLE9031 3710lm-148.4lm/W	XLX420KEWZLE9031 2330lm-142.9lm/W

Base Light iD Series Recessed Louver W150 4ft



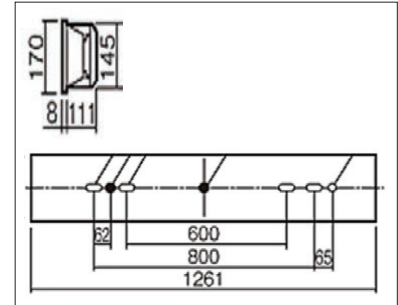
Specification

Life Time : 40.000hr
 Input Voltage : AC 100-242V
 Frequency : 50/60Hz
 Power Factor : 0.90
 CRI : 83
 Ambient Temperature : 5°C until 35°C

Fixture Body : Steel
 Diffuse : Polycarbonate
 Driver : Integrated
 Dimming : PWM Dim



Dimension



Type	Recessed Louver W150			
	6900lm	5200lm	4000lm	2500lm
Beam Angle				
Wattage	43.1W	32.5W	25W	16.3W
Dim	Non Dimmable	Non Dimmable	Non Dimmable	Non Dimmable
6500K 	XLX465FEDZLE9031 5480lm-127.2lm/W	XLX455FEDZLE9031 4130lm-127.1lm/W	XLX445FEDTLE9031 3180lm-127.2lm/W	XLX425FEDZLE9031 2010lm-123.32lm/W
5000K 	XLX465FENZLE9031 5690lm-132.0lm/W	XLX455FENZLE9031 4290lm-132lm/W	XLX445FENTLE9031 3300lm-132lm/W	XLX425FENZLE9031 2060lm-126.4lm/W
4000K 	XLX465FEWZLE9031 5390lm-125.1lm/W	XLX455FEWZLE9031 4060lm-124.9lm/W	XLX445FEWTLLE9031 3120lm-124.8lm/W	XLX425FEWZLE9031 1960lm-120.3lm/W

Type	Recessed Louver W150			
	6900lm	5200lm	4000lm	2500lm
Beam Angle				
Wattage	43.1W	32.5W	25W	16W
Dim	Dimmable	Dimmable	Dimmable	Dimmable
6500K 	XLX465FEDZLR9031 5480lm-103.7lm/W	XLX455FEDZLR9031 4130lm-127.1lm/W	XLX445FEDTLA9031 3180lm-127.2lm/W	XLX425FEDZLA9031 2010lm-123.3lm/W
5000K 	XLX465FENZLR9031 5690lm-107.7lm/W	XLX455FENZLR9031 4290lm-132lm/W	XLX445FENTLA9031 3300lm-132lm/W	XLX425FENZLA9031 2060lm-126.9lm/W
4000K 	XLX465FEWZLR9031 5390lm-125.1lm/W	XLX455FEWZLR9031 4060lm-124.9lm/W	XLX445FEWTLA9031 3120lm-124.8lm/W	XLX425FEWZLA9031 1960lm-120.3lm/W

Base Light iD Series Recessed Open W150 4ft



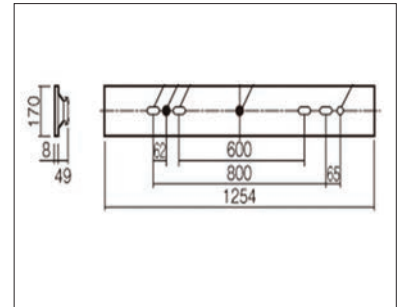
Specification

Life Time	: 40.000hr
Input Voltage	: AC 100-242V
Frequency	: 50/60Hz
Power Factor	: 0.90
CRI	: 83
Ambient Temperature	: 5°C until 35°C

Fixture Body : Steel
 Diffuse : Polycarbonate
 Driver : Integrayed
 Dimming : PWM Dim



Dimension



Type	Recessed Open W150			
	6900lm	5200lm	4000lm	2500lm
Beam Angle				
Wattage	43.1W	32.5W	25W	16.3W
Dim	Non Dimmable	Non Dimmable	Non Dimmable	Non Dimmable
6500K ●	XLX460PEDZLE9031 6430lm-149.2lm/W	XLX450PEDZLE9031 4850lm-149.2lm/W	XLX440PEDTLE9031 3740lm-149.6lm/W	XLX420PEDZLE9031 2360lm-144.8lm/W
5000K ●	XLX460PENZLE9031 6680lm-154.9lm/W	XLX450PENZLE9031 5040lm-155.1lm/W	XLX440PENTLE9031 3880lm-155.2lm/W	XLX420PENZLE9031 2420lm-148.5lm/W
4000K ○	XLX460PEWZLE9031 6320lm-146.7lm/W	XLX450PEWZLE9031 4770lm-146.7lm/W	XLX440PEWTLLE9031 3670lm-146.8lm/W	XLX420PEWZLE9031 2300lm-141.1lm/W

Type	Recessed Open W150			
	6900lm	5200lm	4000lm	2500lm
Beam Angle				
Wattage	43.1W	32.5W	25W	16W
Dim	Dimmable	Dimmable	Dimmable	Dimmable
6500K ●	XLX460PEDZLR9031 6430lm-149.2lm/W	XLX450PEDZLR9031 4850lm-149.2lm/W	XLX440PEDTLA9031 3740lm-149.6lm/W	XLX420PEDZLA9031 2360lm-144.8lm/W
5000K ●	XLX460PENZLR9031 6680lm-154.9lm/W	XLX450PENZLR9031 5040lm-155.1lm/W	XLX440PENTLA9031 3880lm-155.2lm/W	XLX420PENZLA9031 2420lm-148.5lm/W
4000K ○	XLX460PEWZLR9031 6320lm-146.7lm/W	XLX450PEWZLR9031 4770lm-146.7lm/W	XLX440PEWTLA9031 3670lm-146.8lm/W	XLX420PEWZLA9031 2300lm-141.1lm/W

Base Light iD Series Recessed Panel W220 4ft



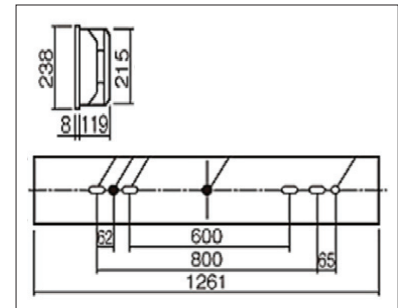
Specification

Life Time : 40.000hr
 Input Voltage : AC100-242V
 Frequency : 50/60Hz
 Power Factor : 0.90
 CRI : 83
 Ambient Temperature : 5°C until 35°C

Fixture Body : Steel
 Diffuse : Polycarbonate
 Driver : Integrated
 Dimming : PWM Dim



Dimension



Type	Recessed Panel W220			
	6900lm	5200lm	4000lm	2500lm
Beam Angle				
Wattage	43.1W	32.5W	25W	16.3W
Dim	Non Dimmable	Non Dimmable	Non Dimmable	Non Dimmable
6500K ●	XLX466EEDZLE9031 4470lm-103.7lm/W	XLX456EEDZLE9031 3360lm-103.4lm/W	XLX446EEDTLE9031 2580lm-103.2lm/W	XLX426EEDZLE9031 1640lm-100.6lm/W
5000K ●	XLX466EENZLE9031 4640lm-107.7lm/W	XLX456EENZLE9031 3300lm-101.5lm/W	XLX446EENTLE9031 2680lm-107.2lm/W	XLX426EENZLE9031 1680lm-103.1lm/W
4000K ○	XLX466EEWZLE9031 4390lm-101.9lm/W	XLX456EEWZLE9031 3300lm-101.5lm/W	XLX446EEWTLLE9031 2530lm-101.2lm/W	XLX426EEWZLE9031 1600lm-98.2lm/W

Type	Recessed Panel W220			
	6900lm	5200lm	4000lm	2500lm
Beam Angle				
Wattage	43.1W	32.5W	25W	16W
Dim	Dimmable	Dimmable	Dimmable	Dimmable
6500K ●	XLX466EEDZLR9031 4470lm-103.7lm/W	XLX456EEDZLR9031 3360lm-103.4lm/W	XLX446EEDTLA9031 2580lm-103.2lm/W	XLX426EEDZLA9031 1640lm-100.6lm/W
5000K ●	XLX466EENZLR9031 4640lm-107.7lm/W	XLX456EENZLR9031 3490lm-107.4lm/W	XLX446EENTLA9031 2680lm-107.2lm/W	XLX426EENZLA9031 1680lm-103.1lm/W
4000K ○	XLX466EEWZLR9031 4390lm-101.9lm/W	XLX456EEWZLR9031 3300lm-101.5lm/W	XLX446EEWTLA9031 2530lm-101.2lm/W	XLX426EEWZLA9031 1600lm-98.2lm/W

Base Light ID Series Recessed Open W330 4ft



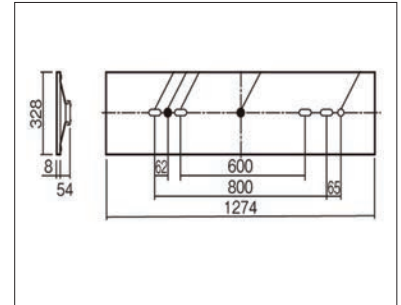
Specification

Life Time : 40.000hr
 Input Voltage : AC100-242V
 Frequency : 50/60Hz
 Power Factor : 0.90
 CRI : 83
 Ambient Temperature : 5°C until 35°C

Fixture Body : Steel
 Diffuse : Polycarbonate
 Driver : Integrayed
 Dimming : PWM Dim



Dimension



Type	Recessed Open W300			
	6900lm	5200lm	4000lm	2500lm
Beam Angle				
Wattage	43.1W	32.5W	25W	16.3W
Dim	Non Dimmable	Non Dimmable	Non Dimmable	Non Dimmable
6500K ●	XLX460VEDZLE9031 6430lm-149.2lm/W	XLX450VEDZLE9031 4850lm-149.2lm/W	XLX440VEDTLE9031 3740lm-149.6lm/W	XLX420VEDZLE9031 2360lm-144.8lm/W
5000K ●	XLX460VENZLE9031 6680lm-154.9lm/W	XLX450VENZLE9031 5040lm-155.1lm/W	XLX440VENTLE9031 3880lm-155.2lm/W	XLX420VENZLE9031 2420lm-148.5lm/W
4000K ○	XLX460VEWZLE9031 6320lm-146.6lm/W	XLX450VEWZLE9031 4770lm-146.7lm/W	XLX440VEWTLE9031 3670lm-146.8lm/W	XLX420VEWZLE9031 2300lm-141.1lm/W

Type	Recessed Open W300			
	6900lm	5200lm	4000lm	2500lm
Beam Angle				
Wattage	43.1W	32.5W	25W	16W
Dim	Dimmable	Dimmable	Dimmable	Dimmable
6500K ●	XLX460VEDZLR9031 6430lm-149.2lm/W	XLX450VEDZLR9031 4850lm-149.2lm/W	XLX440VEDTLA9031 3740lm-149.6lm/W	XLX420VEDZLA9031 2360lm-144.8lm/W
5000K ●	XLX460VENZLR9031 6680lm-154.9lm/W	XLX450VENZLR9031 5040lm-155.1lm/W	XLX440VENTLA9031 3880lm-155.2lm/W	XLX420VENZLA9031 2420lm-148.5lm/W
4000K ○	XLX460VEWZLR9031 6320lm-146.6lm/W	XLX450VEWZLR9031 4770lm-146.8lm/W	XLX440VEWTLA9031 3670lm-146.8lm/W	XLX420VEWZLA9031 2300lm-141.1lm/W

Base Light ID Series Rainproof



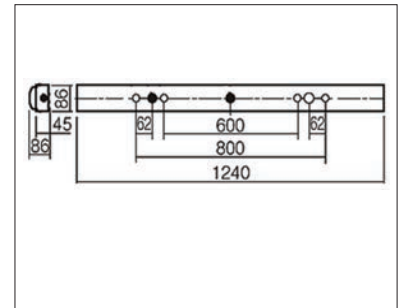
Specification

Life Time : 40.000hr
 Input Voltage : AC100-242V
 Frequency : 50/60Hz
 Power Factor : 0.90
 CRI : 83
 Ambient Temperature : -10°C until 35°C

Fixture Body : Steel
 Diffuse : Polycarbonate
 Driver : Included



Dimension



The operating temperature of rainproof ID Series range has been extended to -10 degrees celcius to 35 degrees celcius (The conventional lower limit 5 degrees celcius). It can also be used in low temperature environments up to 10 degrees celcius (like refrigerated warehouses).

Application



Type	6900lm	4000lm	2000lm
Beam Angle			
Wattage	43.1W	26.7W	13.1W
5000K	XLW462NENZLE9031 6560lm-152.2lm/W	XLW442NENZLE9031 3830lm-143.5lm/W	XLW412NENZLE9031 1910lm-145.8lm/W

Base Light HACCP & Clean Food Series



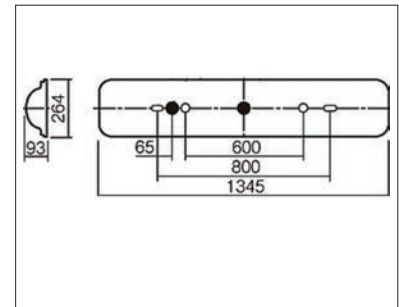
Specification

Life Time : 40.000hr
 Input Voltage : AC 100-242V
 Frequency : 50/60Hz
 Power Factor : 0.90
 CRI : 83
 Ambient Temperature : -10°C until 35°C

Fixture Body : Steel
 Diffuse : Polycarbonate
 Driver : Integrated



Dimension



Industrial Lighting Fixtures for HACCP Requirement

- Clean design that prevents dust from sticking to the fixture. While also making it easier to wipe
- Designed to prevent dust from entering fixture
- Designed with plastic anti-scattering cover
- Less maintenance
- Built in LED. Built in driver
- Non Dimmable
- Body Steel plate, high reflecting white powder coating
- Cover Acryl, transparent, antistatic treatment
- Light bar (cover) Polycarbonate, milky white
- When it used with an UV Lamp. Please ensure UV Rays do not hit the acrylic panel. UV Rays may shorten lifetime of panel
- Product with the same model number may have different luminous colors or brightness because LED have some variations.

Industrial Lighting Fixtures for HACCP Requirement

iD series

Suitable for a clean environment required by HACCP such as food factories, schools kitchens.

- Clean design that prevents dust from sticking to the fixture, while also making it easier to wipe**

 Direct-mount type Dust prevention with (anti)light packing
 Cross sectional shape for preventing dust from sticking to the fixture and for easy wiping of dust
- Designed to prevent dust from entering fixture**
- Designed with plastic anti-scattering cover**

 Double structure design of light bar and cover for shock resistance
- Less maintenance**



Type	6900lm	4000lm	2000lm
Beam Angle			
Wattage	43.1W	26.7W	13.1W
5000K	XLW461ZENLE9031 6260lm-145.3lm/W	XLW441ZENLE9031 3650lm-136.7lm/W	XLW411ZENLE9031 1820lm-138.9lm/W

Base Light LED Extrusion



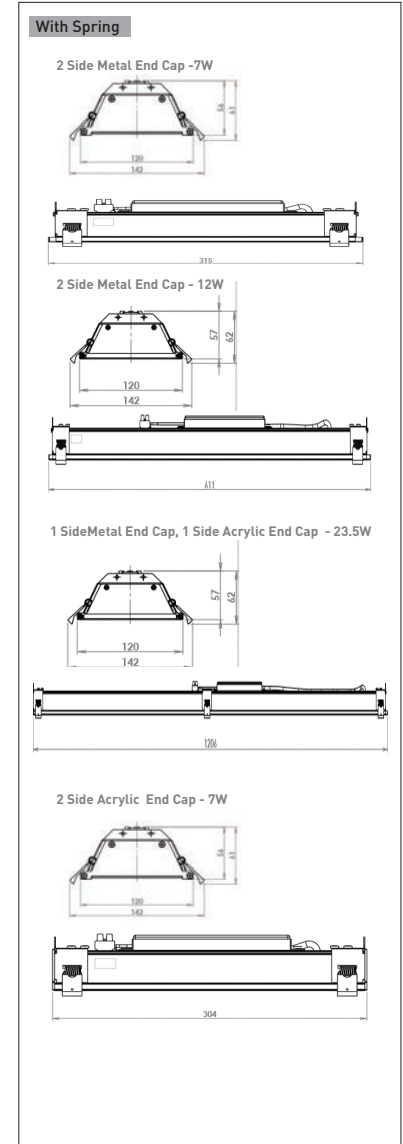
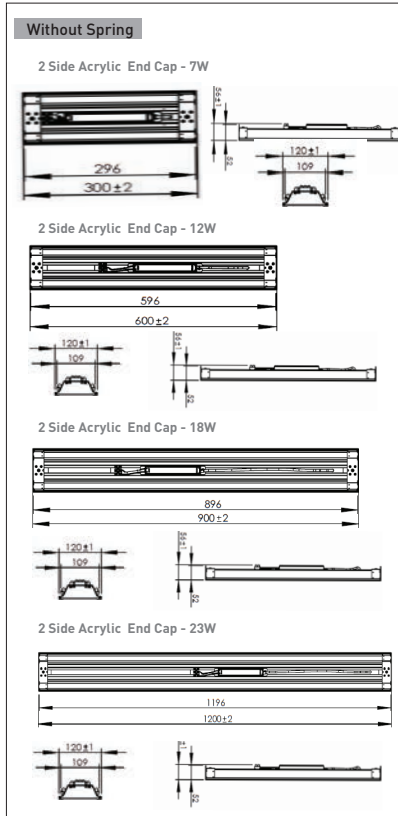
Specification

Life Time : 40.000hr
 Input Voltage : AC100-242V
 Frequency : 50/60Hz
 Power Factor : 0.90
 CRI : 80
 Ambient Temperature : 5°C until 35°C

Body : Anodize
 Cover : Milky



Dimension



Type	Without Spring			
	2 Side Acrylic End Cap			
Wattage	7W	12W	18W	23.5W
6500K ●	NNCL81550031 500lm-71.4lm/W	NNCL82650031 1000lm-83.3lm/W	NNCL83750031 1500lm-83.3lm/W	NNCL84950031 2000lm-85.1lm/W
Type	With Spring			
	2 Side Metal End Cap	1 Side Metal End Cap, 1 Side Acrylic End Cap	2 Side Acrylic End Cap	
Wattage	7W	12W	23.5W	7W
3000K ●	NNCL81536031 450lm-64.3lm/W	NNCL82626031 900lm-75lm/W	NNCL84956031 1800lm-76.6lm/W	NNCL81556031 450lm-64.3lm/W

Base Light System Ceiling



Specification

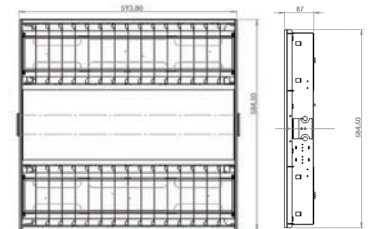
Life Time : 40.000hr
 Input Voltage : AC100-242V
 Frequency : 50/60Hz
 Power Factor : 0.90
 CRI : 80
 Ambient Temperature : 5°C until 35°C

Body : White Paint Steel
 Cover : Milky
 Dimming : Dim PWM

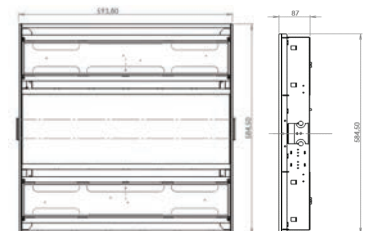


Dimension

System Ceiling with Louver



System Ceiling without Louver

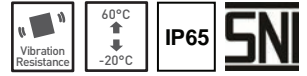


Type	With Louver		Without Louver
	Dimmable	Dimmable	Non Dimmable
Dim	-	Emergency	-
Feature	-	Emergency	-
Wattage	43W	46W	31.6W
4000K ○	NNPAM85002H 4630lm-107.7lm/W	NNPAM85002HBT 4630lm-100.7lm/W	NNPAM85102A 4080lm-129.1lm/W



Industrial Lighting

High Bay Japan Type



Specification

Life Time : 60.000hr
 Input Voltage : AC 100-242V
 Frequency : 50/60Hz
 Power Factor : 0.90
 CRI : 70
 Ambient Temp. : Min -20°C / Max 60°C

Body : ADC
 Diffuse : Polycarbonate
 Driver : Included

Light source life of 60000 hours

The design releasing the LED heat efficiently ensures brightness from installation to the end of product life time

Vibration resistance: 1.5G

Impact resistance: 30G

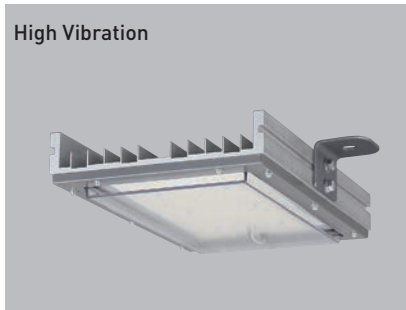
Vibration resistance type is recommended for vibrated environment such as factory using a hoist crane

It can be installed for guarder of hoist crane

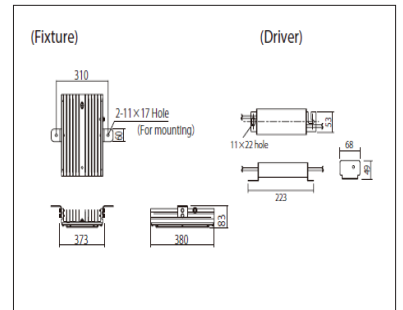
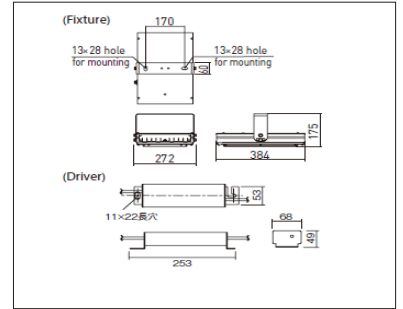


Moisture, rain and dust proof for various environments such as factories, soffits prone to harsh conditions.

Dustproof and Protection against water jet is available for use under the eaves



Dimension



Type	High Temperature ^{60°C}		
	30000lm	20000lm	15000lm
Wattage	199W	134W	104W
5000K	XYM2013LE2031 32000lm-160.8lm/W	XYM2012LE9031 21000lm-156.7lm/W	XYM2011LE9031 16000lm-153.9lm/W

Type	High Vibration ^{30G}		
	30000lm	20000lm	15000lm
Wattage	199W	134W	104W
5000K	XYM2023LE2031 32000lm-160.8lm/W	XYM2022LE9031 21000lm-156.7lm/W	XYM2021LE9031 16000lm-153.9lm/W

High Bay UFO Type



Specification

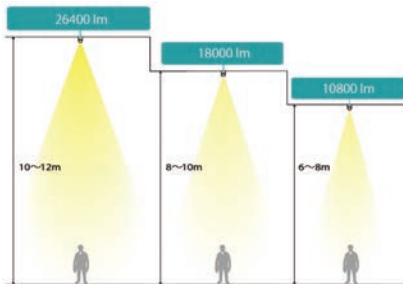
Life Time : 50.000hr
 Input Voltage : AC100-277V
 Frequency : 50/60Hz
 Power Factor : 0.95
 CRI : 70
 Ambient Temperature : -35°C until 40°C

Body : Aluminum Die-Cast Black Finish
 Hook : Stainless Steel
 Panel : Glass and Polycarbonate
 Dimming : Dim 0-10V

Light source life of 50000 hours

The design releasing the LED heat efficiently ensures brightness from installation to the end of product life time

Water proof Highbay light (IP65) for factory, warehouse, and other high ceiling places



Application



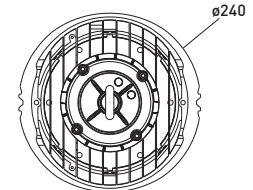
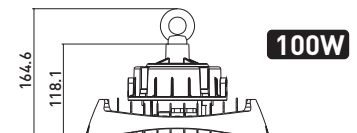
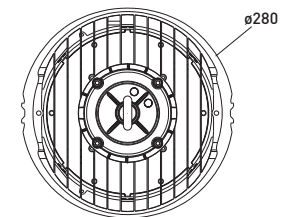
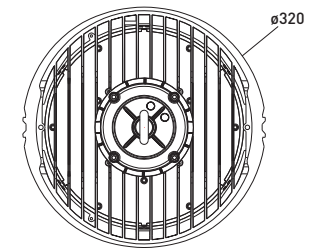
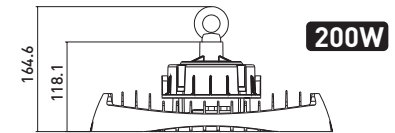
Warehouse, super market, factories, larger stores, gas station, freezer rooms.






Bracket High Bay









Dimension



High Bay UFO Type

Wattage	100W		
Beam Angle			
6500K ●	NNP42860031 16.000lm-160lm/W	NNP42861031 16.000lm-160lm/W	NNP42862031 16.000lm-160lm/W
5000K ●	NNP42850031 16.000lm-160lm/W	NNP42851031 16.000lm-160lm/W	NNP42852031 16.000lm-160lm/W
4000K ○	NNP42840031 16.000lm-160lm/W	NNP42841031 16.000lm-160lm/W	NNP42842031 16.000lm-160lm/W

Wattage	150W		
Beam Angle			
6500K ●	NNP43860031 24.000lm-160lm/W	NNP43861031 24.000lm-160lm/W	NNP43862031 32.000lm-160lm/W
5000K ●	NNP43850031 24.000lm-160lm/W	NNP43851031 24.000lm-160lm/W	NNP43852031 32.000lm-160lm/W
4000K ○	NNP43840031 24.000lm-160lm/W	NNP43841031 24.000lm-160lm/W	NNP43842031 32.000lm-160lm/W

Wattage	200W		
Beam Angle			
6500K ●	NNP44860031 32.000lm-160lm/W	NNP44861031 32.000lm-160lm/W	NNP44862031 32.000lm-160lm/W
5000K ●	NNP44850031 32.000lm-160lm/W	NNP44851031 32.000lm-160lm/W	NNP44852031 32.000lm-160lm/W
4000K ○	NNP44840031 32.000lm-160lm/W	NNP44841031 32.000lm-160lm/W	NNP44842031 32.000lm-160lm/W

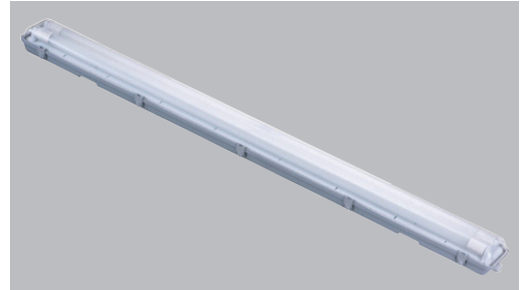
LED Tri-Proof Batten



Specification

Life Time : 40.000hr
 Input Voltage : AC 220-242V
 Frequency : 50/60Hz
 Power Factor : 0.90
 CRI : 80
 Ambient Temperature : 0°C until 40°C

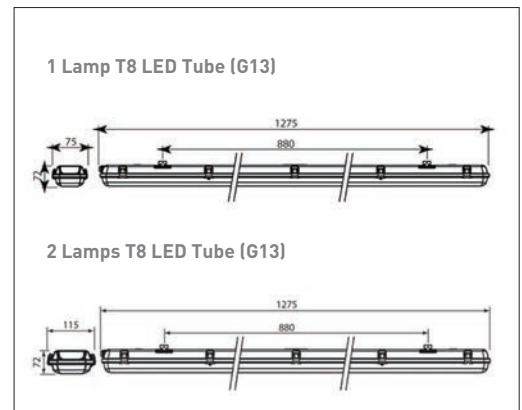
Body : Injection PBT Grey
 Cover : Injection PC Clear



Three Proff Batten Combination :

1. Water Proff : Protection against low pressure water from any direction
2. Dush Proff : Protection against contact (dust tight)
3. Rush Proff : Protection against corrosion

Dimension



Fixture Type	JNP85953		JNP86955	
Type	1 Lamp		2 Lamps	
Wattage	12W	16W	12W	16W
6500K ●	ZNP84941	ZNP84940	ZNP84943	ZNP84942
4000K ○	ZNP84921	ZNP84920	ZNP84923	ZNP84922



Cove & Contour Lighting

LED Strip Light

IP20

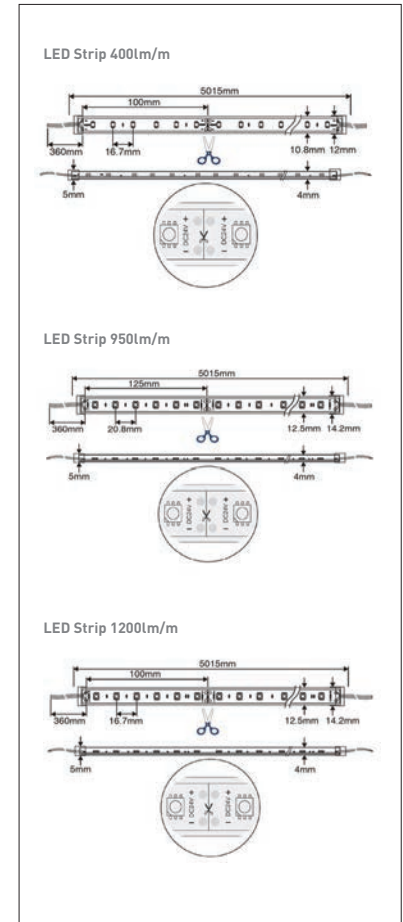
Specification

Life Time	: 50.000hr
Input Voltage	: DC 24V
Power Factor	: 0.90
CRI	: 80
Length	: 5000mm
Ambient Temperature	: 5°C until 30°C

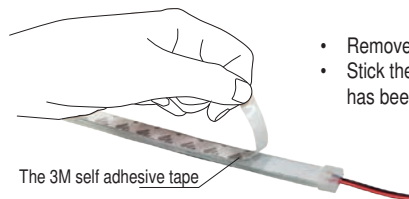
Tube : Silicon
End Cap : Silicon



Dimension



Application



- Remove the paper on the 3M self adhesive tape.
- Stick the 3M self adhesive tape in the place that has been determined.

Type	400lm /m	950lm /m	1200lm /m
4000K ○	NNP91020 2000lm/5m-83.3lm/W	NNP92020 4750lm/5m-82.6lm/W	NNP93020 6000lm/5m-83.3lm/W
3000K ●	NNP91010 2000lm/5m-83.3lm/W	NNP92010 4750lm/5m-82.6lm/W	NNP93010 6000lm/5m-83.3lm/W
2700K ●	NNP91010S1 2000lm/5m-83.3lm/W	NNP92010S1 4750lm/5m-82.6lm/W	NNP93010S1 6000lm/5m-83.3lm/W

Strip Light Driver



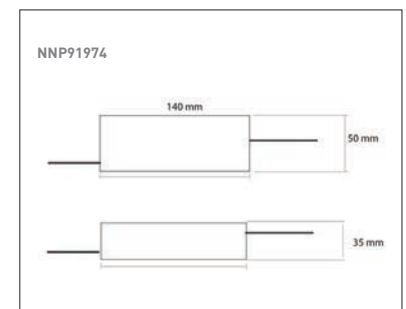
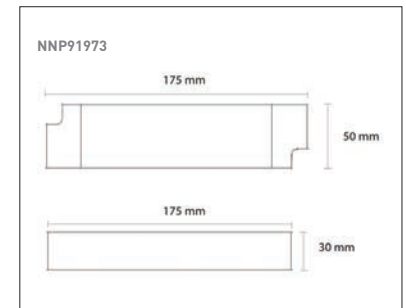
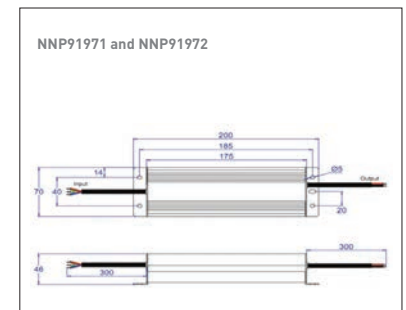
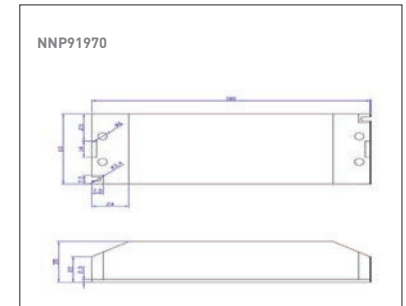
Specification

Input Voltage : AC 100-242V
 Frequency : 50/60Hz
 Output Voltage : DC 24V

Dimming : Phase Cut Dimming



Dimension



Dim	Dimmable	Non Dimmable	
Wattage	30W	40W	100W
IP20	NNP91970	NNP91973	NNP91974

Dim	Dimmable	
Wattage	60W	80W
IP66	NNP91971	NNP91972

LED Batten Slim



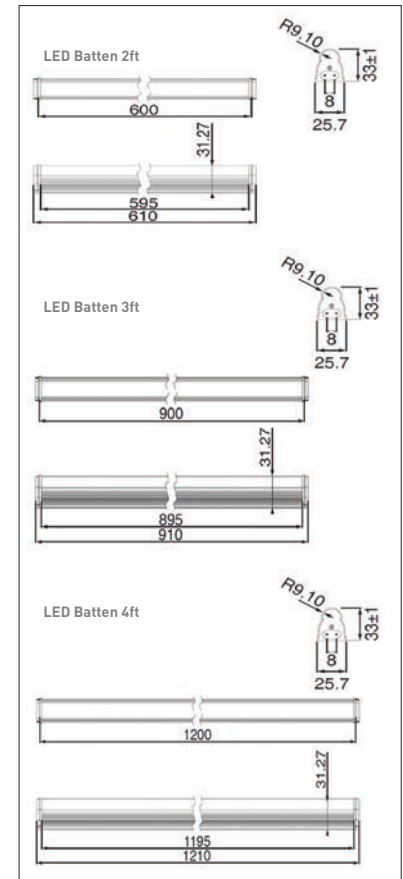
Specification

Life Time	: 40.000hr
Input Voltage	: AC 220-242V
Frequency	: 50/60Hz
Power Factor	: 0.90
CRI	: 80
Ambient Temperature	: 5°C until 30°C

Body : Aluminum
 Cover : Polycarbonate (Milky White)
 Incl. Accessories : Metal clamp, bracket, power cable, end cover, joint connector



Dimension



Application



Type	2ft	3ft		4ft	
Wattage	9W	12W	15W	18W	23W
6500K ●	NNP82950 900lm-100lm/W	NNP83950 1200lm-100lm/W	NNP83951 1700lm-113lm/W	NNP84950 1800lm-100lm/W	NNP85951 2600lm-113lm/W
3000K ●	NNP82910 810lm-90lm/W	NNP83910 1080lm-90lm/W	NNP83911 1530lm-102lm/W	NNP84910 1620lm-90lm/W	NNP85911 2340lm-102lm/W



Street Lighting

Street Light S3 Series

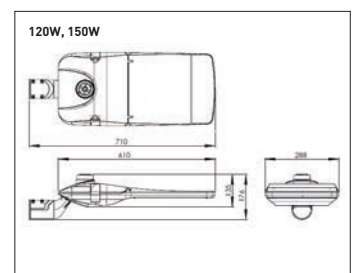
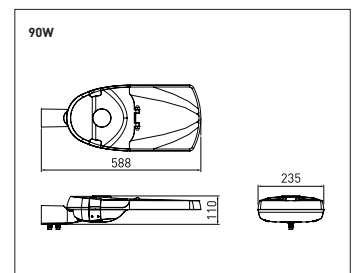
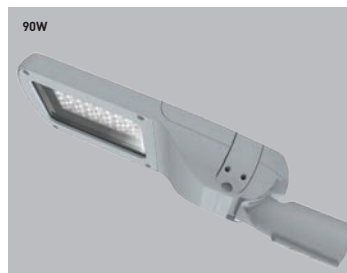
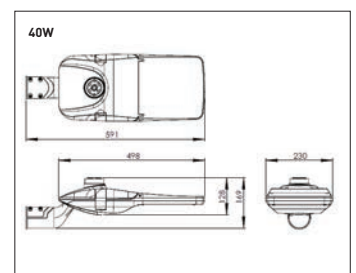
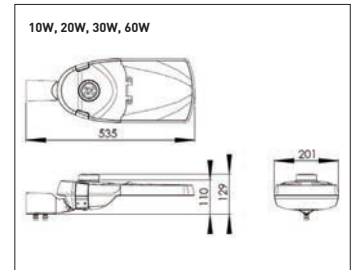
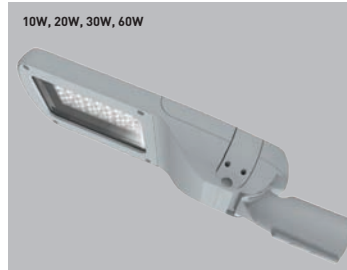


Specification

Life Time : 50.000hr
 Input Voltage : AC 100-240V
 Frequency : 50/60Hz
 CRI : 70
 Ambient Temperature : 5°C until 40°C

Fixture Body : ADC
 Diffuse : Polycarbonate
 Driver : Included

Dimension



Application



Wattage		10W	20W	30W	40W
5000K	Auto Dimming	NNP10940 1.400lm-140lm/W	NNP10941 2.800lm-140lm/W	NNP10942 4.200lm-140lm/W	NNP10950 6.000lm-150lm/W
	Ready for Smart	-	NNP109417P 2.800lm-140lm/W	NNP109427P 4.200lm-140lm/W	NNP109507P 6.000lm-150lm/W

Wattage		60W	90W	120W	150W
5000K	Auto Dimming	NNP11940 8.400lm-140lm/W	NNP11941 12.600lm-140lm/W	NNP13950 18.000lm-150lm/W	NNP14950 22.500lm-150lm/W
	Ready for Smart	NNP119407P 8.400lm-140lm/W	NNP119417P 12.600lm-140lm/W	NNP139507P 18.000lm-150lm/W	NNP149507P 22.500lm-150lm/W

Street Light EVO Series

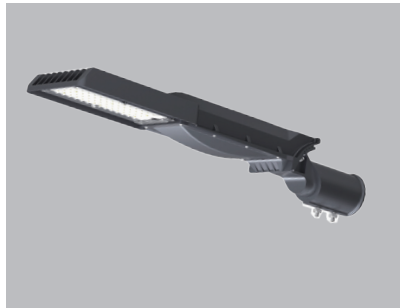


Specification

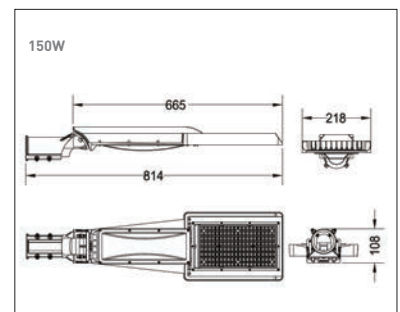
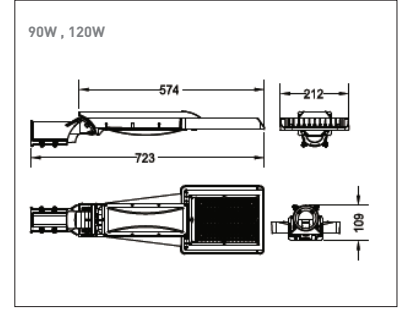
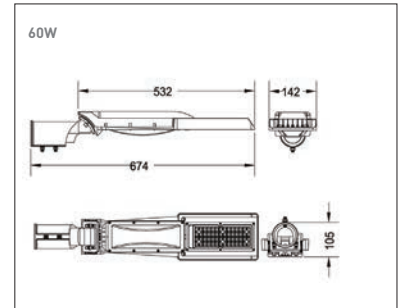
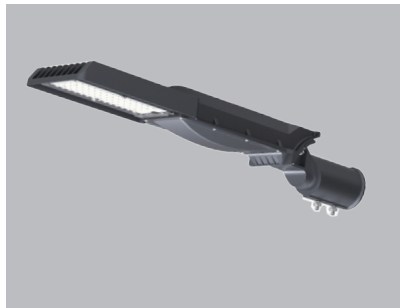
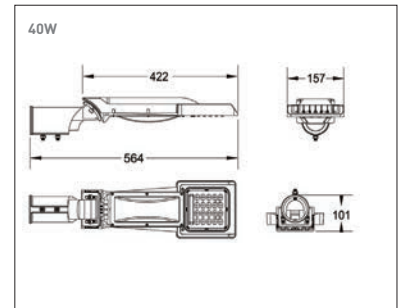
Life Time : 50.000hr
 Input Voltage : AC 100-240V
 Frequency : 50/60Hz
 CRI : 70
 Ambient Temperature : 5°C until 40°C

Fixture Body : ADC
 Diffuse : Polycarbonate
 Driver : Included

Application



Dimension



Wattage	40W	60W	90W	120W	150W
5000K	NNP11740	NNP11742	NNP11743	NNP12744	NNP14745
●	5.200lm-130lm/W	7.800lm-130lm/W	11.700lm-130lm/W	15.600lm-130lm/W	19.500lm-130lm/W

Street Light NEO Series

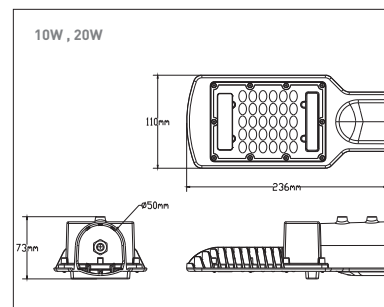


Specification

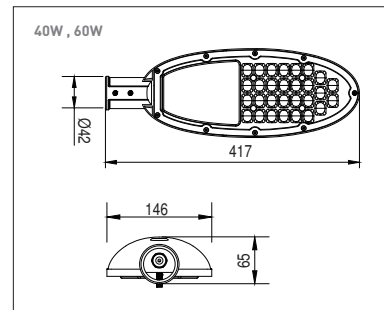
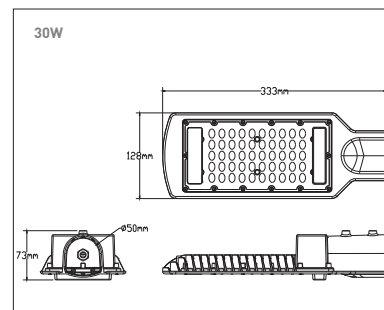
Life Time : 35.000hr (10-30W)
 : 50.000hr (40W,60W)
 Input Voltage : AC 100-240V
 Frequency : 50/60Hz
 CRI : 80
 Ambient Temperature : 5°C until 40°C

Fixture Body : ADC
 Diffuse : Polycarbonate
 Driver : Included

Dimension



Application



Wattage	10W	20W	30W	40W	60W
5000K ●	NNP10943 1.200lm-120lm/W	NNP10944 2.400lm-120lm/W	NNP10945 3.600lm-120lm/W	NNP10733 5.000lm-125lm/W	NNP10734 7.500lm-125lm/W

Street Light

Integrated LED Solar Road Lighting - ECO Series

IP66

Specification

Life Time	: 50.000hr
Full Backup Time	: 12hr
Beam Angle	: 117°
CRI	: 70
Ambient Temperature	: 5°C until 40°C

Fixture Body : ADC & Aluminium Extrusion
 Body Battery Box : ABS
 Diffuse : Polycarbonate
 Driver : Included

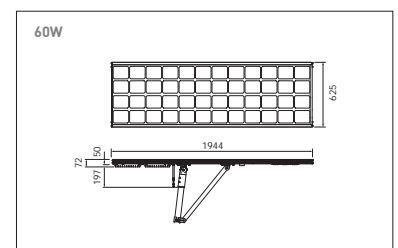
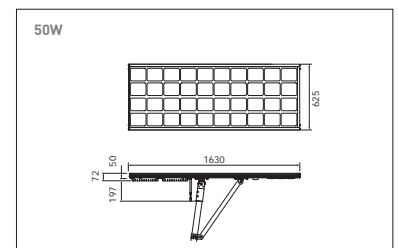
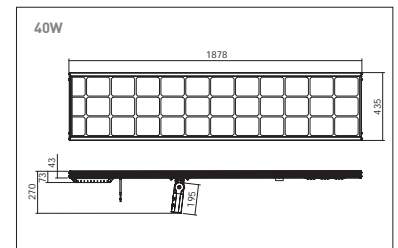
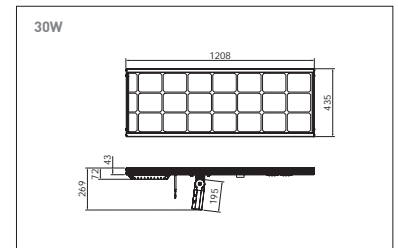
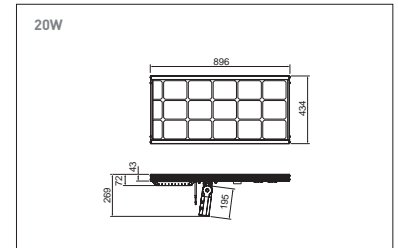
Features:

Standard Features

- Equipped with motion sensors for detection of activities around PJU in an effort to increase lighting time up to 60 hours.
- Equipped with an automatic dimming system up to 6 stages to extend the life of the lamp.
- Equipped with a remote control for lighting settings and lamp working modes.
- High efficacy.
- Used Life PO4 battery and monocrystalline solar panel for maximum performance.

Smart System Features

- Supported by marking the location of the lights, monitoring the condition of the battery and solar panels, and notifying when abnormal conditions occur.
- All light points are controlled wirelessly at the 923 Mhz frequency.
- Centralized lighting asset management condition monitoring through a gateway / concentrator with a display on the web that supports access from a desktop PC or smartphone.
- Free of charge for GPRS connectivity to the gateway / concentrator during the warranty period.
- Servers are located in Indonesia so as to maximize access speed and data security.
- Constant light due to the fluctuation of the line voltage.



Wattage		20W	30W	40W	50W	60W
5000K	Standard	NSP10460 3.000lm-150lm/W	NSP10461 4.500lm-150lm/W	NSP10560 6.000lm-150lm/W	NSP11660 7.500lm-150lm/W	NSP11760 9.000lm-150lm/W
	Smart	NSP10460LR 3.000lm-150lm/W	NSP10461LR 4.500lm-150lm/W	NSP10560LR 6.000lm-150lm/W	NSP11660LR 7.500lm-150lm/W	NSP11760LR 9.000lm-150lm/W
Solar Panel & Battery		Mono 75WP, LiFePO4 275WH	Mono 95WP, LiFePO4 384WH	Mono 125WP, LiFePO4 550WH	Mono 180WP, LiFePO4 767WH	Mono 215WP, LiFePO4 920WH

Street Light

Integrated LED Solar Road Lighting - PRO Series

IP66

Specification

Life Time : 50.000hr
 Full Backup Time : 12hr
 Beam Angle : 120°
 CRI : 70
 Ambient Temperature : 5°C until 40°C

Fixture Body : ADC & Aluminium Extrusion
 Body Battery Box : ABS
 Diffuse : Polycarbonate
 Driver : Included

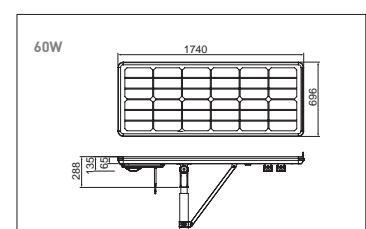
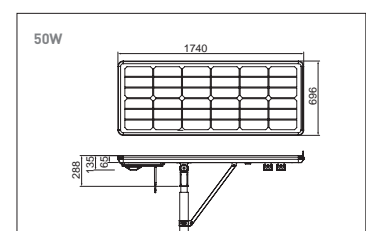
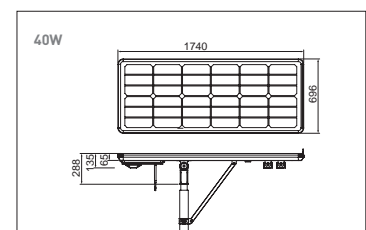
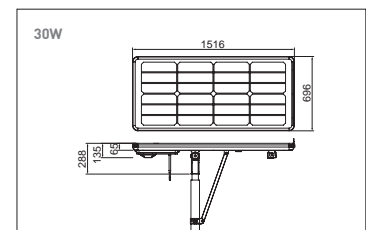
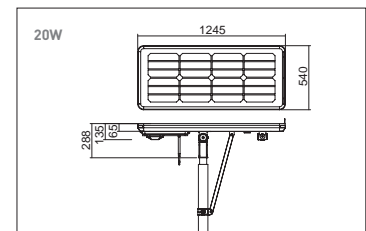
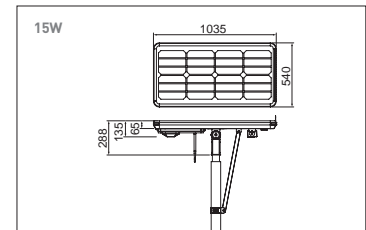
Features:

Standard Features

- Equipped with motion sensors for detection of activities around PJU in an effort to increase lighting time up to 60 hours.
- Equipped with an automatic dimming system up to 4 stages to extend the life of the lamp.
- Equipped with a remote control for lighting settings and lamp working modes.
- High efficacy.
- Used Life P04 battery and monocrystalline solar panel for maximum performance.

Smart System Features

- Supported by marking the location of the lights, monitoring the condition of the battery and solar panels, and notifying when abnormal conditions occur.
- All light points are controlled wirelessly at the 923 Mhz frequency.
- Centralized lighting asset management condition monitoring through a gateway / concentrator with a display on the web that supports access from a desktop PC or smartphone.
- Free of charge for GPRS connectivity to the gateway / concentrator during the warranty period.
- Servers are located in Indonesia so as to maximize access speed and data security.
- Constant light due to the fluctuation of the line voltage.



Wattage		15W	20W	30W	40W	50W	60W
5500K	Standard	NSP10440 2.700lm-180lm/W	NSP10441 3.600lm-180lm/W	NSP10540 5.400lm-180lm/W	NSP10541 7.200lm-180lm/W	NSP11640 9.000lm-180lm/W	NSP11740 10.800lm-180lm/W
	Smart	NSP10440LR 2.700lm-180lm/W	NSP10441LR 3.600lm-180lm/W	NSP10540LR 5.400lm-180lm/W	NSP10541LR 7.200lm-180lm/W	NSP11640LR 9.000lm-180lm/W	NSP11740LR 10.800lm-180lm/W
Solar Panel & Battery		Mono 80WP LiFePO4 295WH	Mono 110WP LiFePO4 380WH	Mono 150WP LiFePO4 549WH	Mono 150WP LiFePO4 591WH	Mono 200WP LiFePO4 760WH	Mono 210WP LiFePO4 929WH

Street Light LED Solar Road Lighting - Split Series

IP66

Specification

Life Time	: 50.000hr
Full Backup Time	: 12hr
Beam Angle	: 120°
CRI	: 70
Ambient Temperature	: 5°C until 40°C

Fixture Body	: ADC & Aluminium Extrusion
Body Battery Box	: Aluminium
Diffuse	: Polycarbonate
Driver	: Included

Features:

Standard Features

- Equipped with motion sensors for detection of activities around PJU in an effort to increase lighting time up to 60 hours.
- Equipped with an automatic dimming system up to 4 stages to extend the life of the lamp.
- Equipped with a remote control for lighting settings and lamp working modes.
- High efficacy.
- Used Life PO4 battery and monocrystalline solar panel for maximum performance.

Smart System Features

- Supported by marking the location of the lights, monitoring the condition of the battery and solar panels, and notifying when abnormal conditions occur.
- All light points are controlled wirelessly at the 923 Mhz frequency.
- Centralized lighting asset management condition monitoring through a gateway / concentrator with a display on the web that supports access from a desktop PC or smartphone.
- Free of charge for GPRS connectivity to the gateway / concentrator during the warranty period.
- Servers are located in Indonesia so as to maximize access speed and data security.
- Constant light due to the fluctuation of the line voltage.



Wattage		40W	60W	70W	80W	90W	100W
5500K	Standard	NSP22649 6.000lm-150lm/W	NSP22630 9.000lm-150lm/W	NSP22650 12.600lm-180lm/W	NSP22651 14.400lm-180lm/W	NSP22652 16.200lm-180lm/W	NSP22653 18.000lm-180lm/W
	Smart	-	-	NSP22650LR 12.600lm-180lm/W	NSP22651LR 14.400lm-180lm/W	NSP22652LR 16.200lm-180lm/W	NSP22653LR 18.000lm-180lm/W
Solar Panel & Battery		Mono 150WP LiFePO4 537WH	Mono 200WP LiFePO4 768WH	Mono 250WP LiFePO4 1075WH	Mono 280WP LiFePO4 1228WH	Mono 320WP LiFePO4 1382WH	Mono 380WP LiFePO4 1536WH



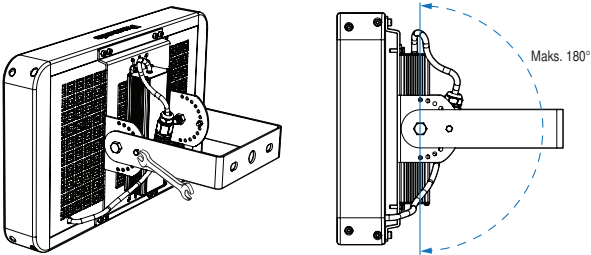
Flood Light

Flood Light A Series

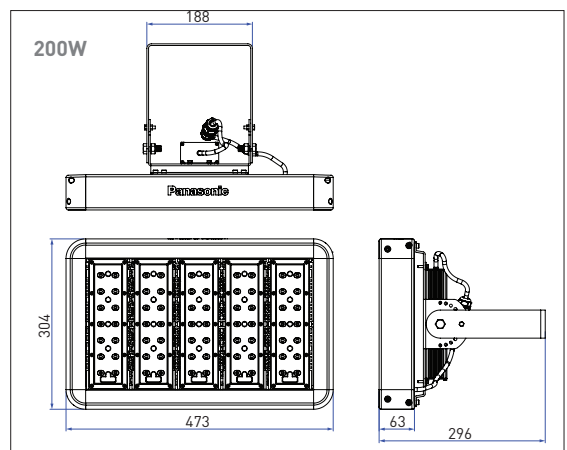
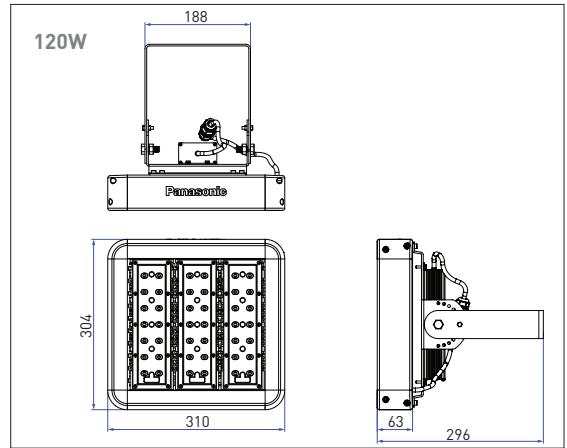


Specification

Life Time	: 50.000hr
Input Voltage	: AC 100-240V
Power Factor	: 0.90
Frequency	: 50/60Hz
CRI	: 70
Ambient Temperature	: -40°C until 50°C



Dimension



Application



Wattage	120W	200W
Beam Angle		
5000K ●	NNP19940031 15.600lm-130lm/W	NNP19941031 26.000lm-130lm/W

Flood Light

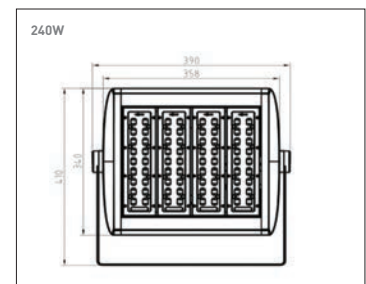
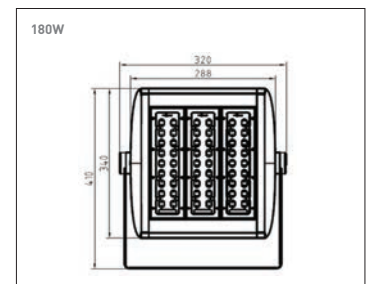
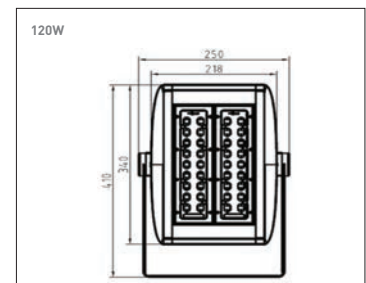
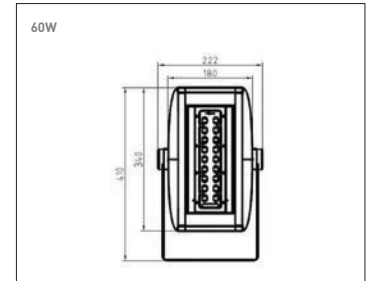


Specification

Life Time : 50.000hr
 Input Voltage : AC 100-240V
 Power Factor : 0.95
 Frequency : 50/60Hz
 CRI : 70
 Ambient Temperature : -35°C until 40°C

Fixture Body : ADC
 Dimming : 0-10V

Dimension



Wattage	60W	120W	180W	240W
Beam Angle				
5000K ● Dimmable	NNP31930K 7.200lm-120lm/W	NNP33932K 14.400lm-120lm/W	NNP34935K 21.600lm-120lm/W	NNP35939K 28.800lm-120lm/W
4000K ○ Dimmable	NNP31940K 7.200lm-120lm/W	NNP33942K 14.400lm-120lm/W	NNP34945K 21.600lm-120lm/W	NNP35949K 28.800lm-120lm/W
3000K ● Dimmable	NNP31910K 7.200lm-120lm/W	NNP33912K 14.400lm-120lm/W	NNP34915K 21.600lm-120lm/W	NNP35919K 28.800lm-120lm/W

Flood Light

High Lumen Stadium Light

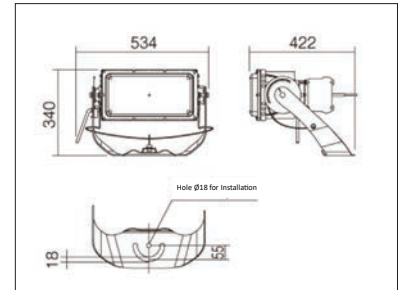
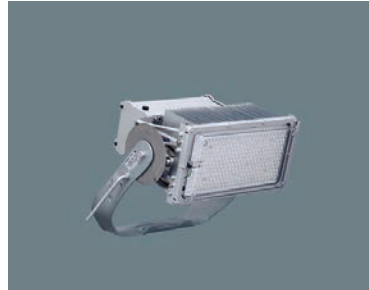


Specification

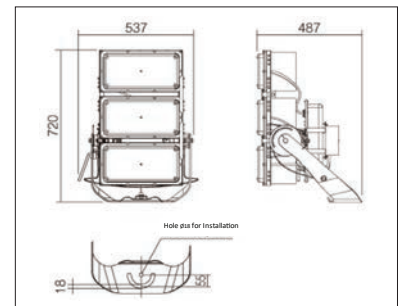
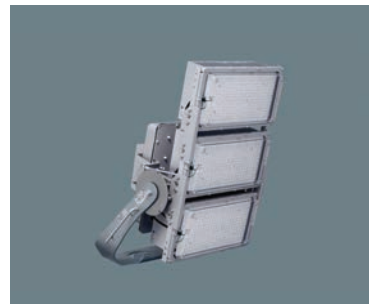
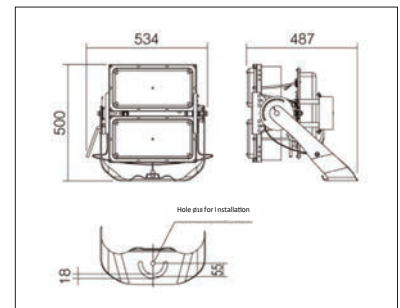
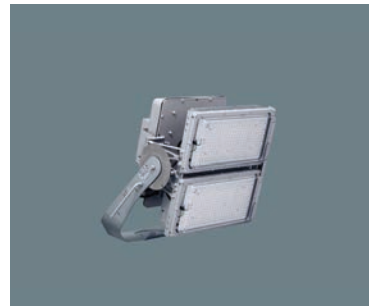
Life Time : 40.000hr
 Input Voltage : AC 200-242V
 Frequency : 50/60Hz
 CRI : 70
 Ambient Temperature : -20°C until 35°C

Fixture Body : ADC
 Diffuse : Polycarbonate
 Driver : Included
 Arm : Steel (Hot-dip Galvanize)
 Handle : Stainless Steel
 Dimming : Power Line or PWM

Dimension



Application



Type	Narrow (26°)	Middle N (40°)	Middle M (52°)	Wide (73°)
5000K	NYS12817LD2031 106.400lm-749W-142,0lm/W	NYS12827LD2031 117.300lm-813W-144,2lm/W	NYS12837LD2031 120.000lm-803W-149,4lm/W	NYS12847LD2031 122.300lm-793W-154,2lm/W
	NYS12717LD2031 101.000lm-707W-142,8lm/W	NYS12727LD2031 106.000lm-710W-149,2lm/W	NYS12737LD2031 106.700lm-706W-151,1lm/W	NYS12747LD2031 103.400lm-661W-156,4lm/W
	NYS12517LD2031 63.200lm-442W-142,9lm/W	NYS12527LD2031 68.900lm-462W-149,1lm/W	NYS12537LD2031 68.000lm-432W-157,4lm/W	NYS12547LD2031 65.500lm-410W-159,8lm/W
	NYS12317LD2031 35.800lm-251W-142,6lm/W	-	NYS12337LD2031 40.400lm-267W-151,3lm/W	NYS12347LD2031 41.000lm-264W-155,3lm/W

Flood Light

High Lumen Anti Chlorine



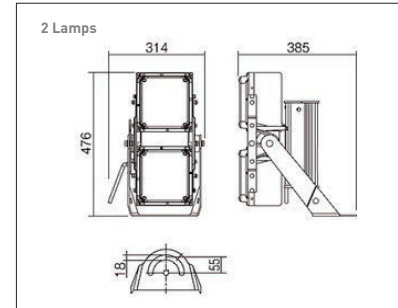
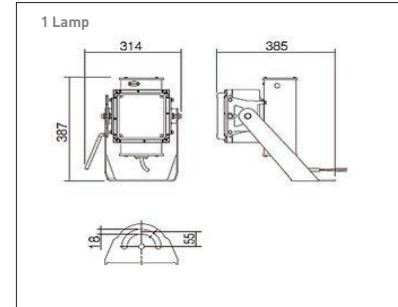
Specification

Life Time	: 40.000hr
Input Voltage	: AC 100-242V
Frequency	: 50/60Hz
CRI	: 70
Ambient Temperature	: -10°C until 35°C

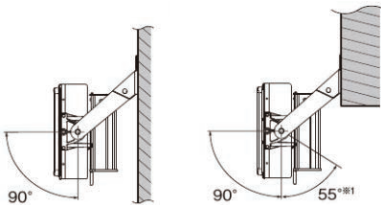
Fixture Body : Steel
 Diffuse : Polycarbonate
 Driver : Integrated
 Dimming : PWM Dim



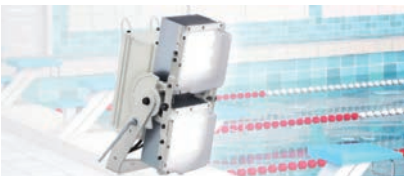
Dimension



- High lumen Flood Light is equivalent to 250-1000 multi halogen lamp.
- This High Lumen Flood Light type anti chlorine can be used for small to large pools.
- Equipped with an initial lighting correction function and a dimming function that can be adjusted to the brightness needed in combination with a compatible dimmer. (About 10 to 85%), already use IP65



Application



Type	1 Lamp			2 Lamps		
Beam Angle						
Wattage	154W	154W	154W	320W	320W	320W
5000K	NONY24735LA9031 21.000lm-136lm/W	NONY24736LA9031 21.000lm-136lm/W	NONY24737LA9031 19.600lm-127lm/W	NONY24740LA2031 42.400lm-132,5lm/W	NONY24741LA2031 43.400lm-135,6lm/W	NONY24742LA2031 39.600lm-127,7lm/W



Decorative Lighting

Decorative Lighting

Flood Light RGBW & Mono Color



Specification

Life Time : 50.000hr
 CRI : 80 (Mono Color)
 Ambient Temperature : -25°C until 50°C

Body : Aluminum Die-Cast

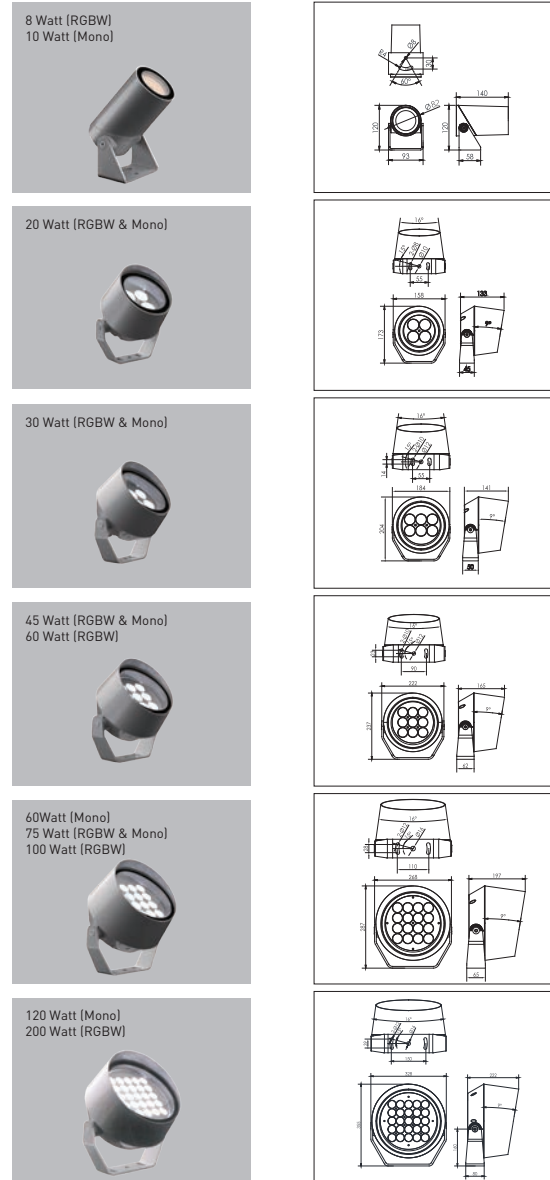
Application



Driver

Input Voltage	Model Number	Wattage	PF	IP
DC 24V	NNP96971	60W	>90	IP67
	NNP96973	100W		
	NNP96979	150W		
	NNP96975	200W		
	NNP96977	300W		

Dimension



Wattage	10W	20W	30W	45W	60W	75W	120W
Beam Angle							
Vin	AC100-240V	AC100-240V	AC100-240V	AC100-240V	AC100-240V	AC100-240V	AC100-240V
System	ON-OFF	ON-OFF	ON-OFF	ON-OFF	ON-OFF	ON-OFF	ON-OFF
4000K ○	NNP30650GL 850lm	NNP31650GL 1.700lm	NNP32650GL 2.550lm	NNP32651GL 3.825lm	NNP33650GL 5.100lm	NNP33651GL 6.375lm	NNP34650GL 10.200lm

Wattage	8W	20W	30W	45W	60W	75W	100W	200W
Beam Angle								
Vin	DC24V	DC24V	AC100-240V	AC100-240V	AC100-240V	AC100-240V	AC100-240V	AC100-240V
Controller	DMX512 (Digital Multiplex)	DMX512 (Digital Multiplex)	DMX512 (Digital Multiplex)	DMX512 (Digital Multiplex)	DMX512 (Digital Multiplex)	DMX512 (Digital Multiplex)	DMX512 (Digital Multiplex)	DMX512 (Digital Multiplex)
RGBW 	NNP30850GL 360lm	NNP31850GL 900lm	NNP32850GL 1.350lm	NNP33851GL 2.025lm	NNP33850GL 2.700lm	NNP34851GL 3.375lm	NNP34850GL 4.500lm	NNP35850GL 9.000lm

Decorative Lighting

Wall Washer RGBW & Mono Color



Specification

Life Time : 50.000hr
 Input Voltage : DC 24V
 CRI : 80 (Mono Color)
 Ambient Temperature : -25°C until 50°C

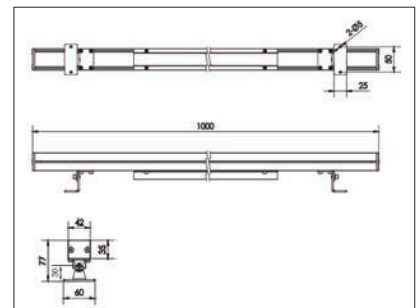
Body : Aluminum Die Casting



Application



Dimension



Driver

Input Voltage	Model Number	Wattage	PF	IP
DC 24V	NNP96971	60W	>90	IP67
	NNP96973	100W		
	NNP96979	150W		
	NNP96975	200W		
	NNP96977	300W		

Wattage	18W	24W	36W	36W	48W
Beam Angle					
System	ON-OFF	ON-OFF	ON-OFF	-	-
Controller	-	-	-	DMX512 (Digital Multiplex)	DMX512 (Digital Multiplex)
4000K ○	NNP90300GL 1.530lm	NNP91300GL 2.040lm	NNP92300GL 3.060lm	-	-
RGBW 	-	-	-	NNP92400GL 1.260lm	NNP93400GL 1.680lm

Decorative Lighting

Outline RGB & Mono Color



Specification

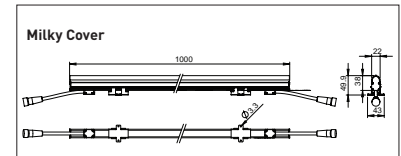
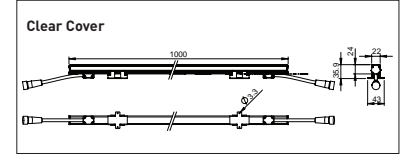
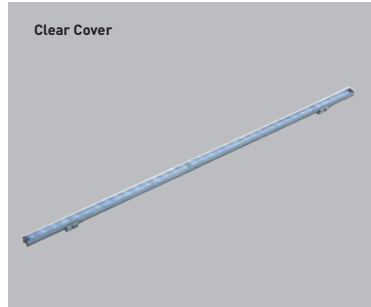
Life Time : 50.000hr
 Input Voltage : DC24V
 CRI : 80 (Mono Color)
 Ambient Temperature : -25°C until 50°C

Body : Aluminum Die Casting

Application



Dimension



Driver

Input Voltage	Model Number	Wattage	PF	IP
DC 24V	NNP96971	60W	>90	IP67
	NNP96973	100W		
	NNP96979	150W		
	NNP96975	200W		
	NNP96977	300W		

Wattage	10W	10W	10W	10W
Beam Angle				
System	ON-OFF	-	ON-OFF	-
Controller	-	DMX512 (Digital Muxplex)	-	DMX512 (Digital Muxplex)
4000K ○	NNP90100GL 600lm	-	NNP91100GL 600lm	-
RGB ●	-	NNP90200GL 200lm	-	NNP91200GL 200lm
	Clear Cover	Clear Cover	Milky Cover	Milky Cover

Specification

Life Time : 50.000hr
Temp. Ambient : -40°C until 55°C

Body : Modified PVC
Fire retardant material V-0

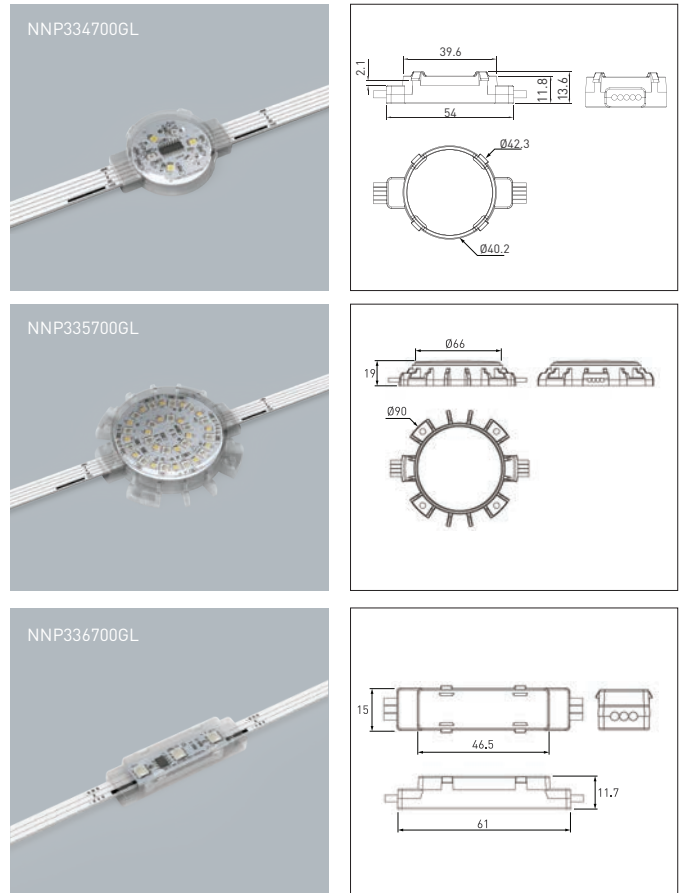
Features :

- Can change color according to consumer request, with adjustable color change for delay time.
- Can be immersed in water with a depth of 1.5 - 2 meters.
- Can be controlled with DMX Controller option: Master type NNP334700XS combined with NP334700DMX Data Distributor or using Master include NNP334700XSD Data Distributor.
- Using a separate driver with lights that are tailored to the power requirements of the installed lights.

Accessories :



Dimension



Driver

Input Voltage	Model Number	Wattage	PF	IP
DC 12V	NNP96970	60W	>90	IP67
	NNP96972	100W		
	NNP96978	150W		
	NNP96974	200W		
	NNP96976	300W		

Input Voltage	Model Number	Wattage	PF	IP
DC 24V	NNP96971	60W	>90	IP67
	NNP96973	100W		
	NNP96979	150W		
	NNP96975	200W		
	NNP96977	300W		

Wattage	0,72W	4,32W	0,72W
Beam Angle			
RGB	NNP334700GL 18lm	NNP335700GL 85lm	NNP336700GL 16lm
Input Voltage	DC 12V	DC 24V	DC 12V
Data Communication Type	DMX512	DMX512	SPI (Serial Peripheral Interface)

Decorative Lighting

LED Flexible Strip Light RGB

IP68

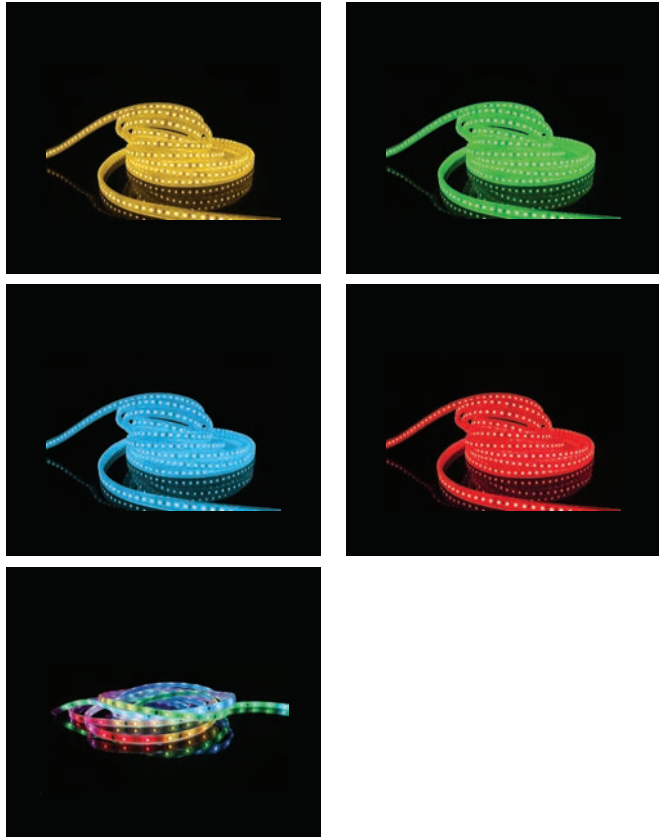
Specification

Life Time : 50.000hr
Temp. Ambient : -40°C until 55°C

Body : Modified PVC
Fire retardant material V-0

Features

- Can change color according to consumer request, with adjustable color change for delay time.
- Can be immersed in water with a depth of 1.5 - 2 meters.
- Can be controlled with DMX Controller option: Master type NNP34700XS with NNP334700SPI for data distributor or using Master include NNP334700XSS Data Distributor.
- Using a separate driver with lights that are tailored to the power requirements of the installed lights.



Driver

Input Voltage	Model Number	Wattage	PF	IP
DC 12V	NNP96970	60W	>90	IP67
	NNP96972	100W		
	NNP96978	150W		
	NNP96974	200W		
	NNP96976	300W		

Input Voltage	Model Number	Wattage	PF	IP
DC 24V	NNP96971	60W	>90	IP67
	NNP96973	100W		
	NNP96979	150W		
	NNP96975	200W		
	NNP96977	300W		

Wattage	24W (4,8/meter)	24W (4,8/meter)	24W (4,8/meter)	24W (4,8/meter)	24W (4,8/meter)
Color Light	Warm White	Red	Green	Blue	RGB
	NNP90930GL 1500lm	NNP90931GL 650lm	NNP90932GL 600lm	NNP90933GL 350lm	NNP90940GL 850lm
Input Voltage	DC 24V	DC 24V	DC 24V	DC 24V	DC 12V
Data Communication Type	-	-	-	-	SPI (Serial Peripheral Interface)

Decorative Lighting

Inground RGBW & Mono Color



Specification

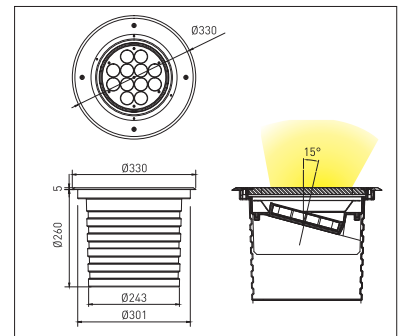
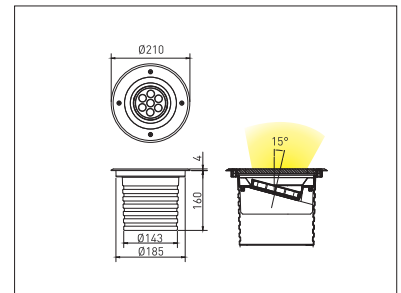
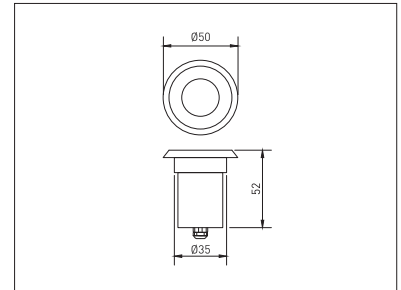
Life Time : 50.000hr
 CRI : 80 (Mono Color)
 Input Voltage : AC 100-240V
 Ambient Temperature : -25°C until 50°C

Body : Aluminum Alloy Molding

Application



Dimension



Wattage	1,5W	16W	40W	60W	1,5W	16W	40W	60W	100W
Beam Angle									
System	ON-OFF	ON-OFF	ON-OFF	ON-OFF	-	-	-	-	-
Controller	-	-	-	-	DMX512 (Digital Multiplex)	DMX512 (Digital Multiplex)	DMX512 (Digital Multiplex)	DMX512 (Digital Multiplex)	DMX512 (Digital Multiplex)
4000K 	NNP30350GL 125lm - 83lm/W	NNP31350GL 1.360lm - 85lm/W	NNP32350GL 3.400lm - 85lm/W	NNP33350GL 5.100lm - 85lm/W	-	-	-	-	-
RGB 	-	-	-	-	NNP30360GL 75lm - 50lm/W	NNP31360GL 800lm - 50lm/W	-	-	-
RGBW 	-	-	-	-	-	-	NNP32360GL 2.000lm - 50lm/W	NNP33360GL 3.000lm - 50lm/W	NNP34360GL 5.000lm - 50lm/W

Decorative Lighting

LED Underwater RGB Series

IP68

Specification

Life Time : 50.000hr
 Input Voltage : DC 24V
 Ambient Temperature : -25°C until 50°C

Body : Aluminum Die Casting

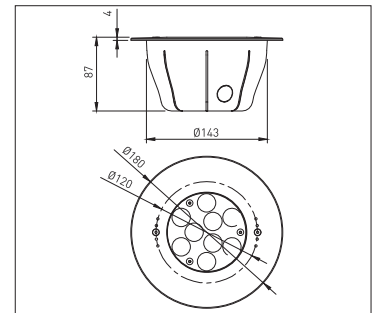
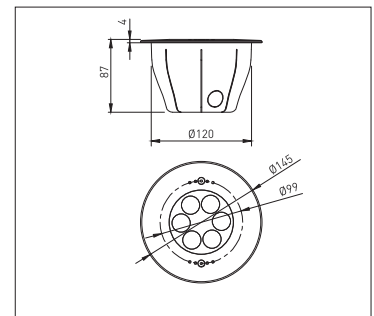
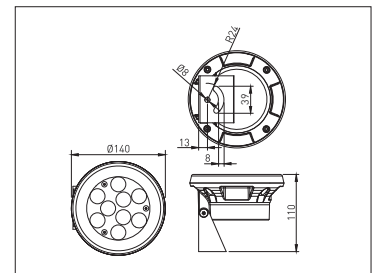
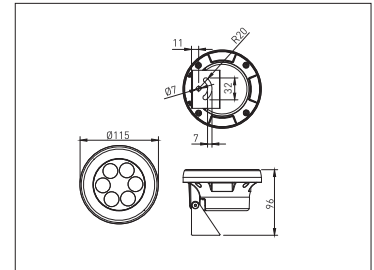
Application



Driver

Input Voltage	Model Number	Wattage	PF	IP
DC 24V	NNP96971	60W	>90	IP67
	NNP96973	100W		
	NNP96979	150W		
	NNP96975	200W		
	NNP96977	300W		

Dimension



Wattage	7W	10W	16W	7W	10W	16W
Beam Angle						
Type	Mounting	Mounting	Mounting	Recessed	Recessed	Recessed
RGB	NNP30375GL 280lm - 6 LED Chips	NNP30374GL 400lm - 9 LED Chips	NNP30373GL 640lm - 9 LED Chips	NNP30367GL 280lm - 6 LED Chips	NNP30366GL 400lm - 9 LED Chips	NNP30365GL 640lm - 9 LED Chips

Step Light

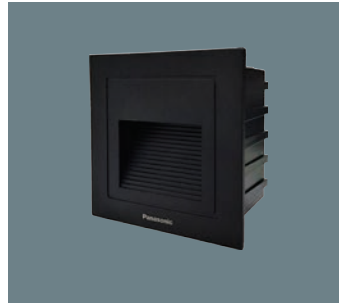
LED Step Light



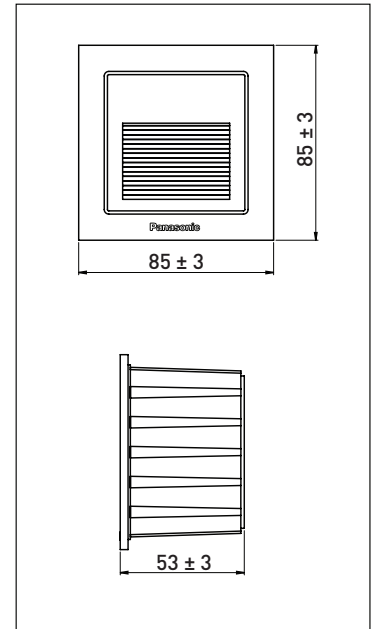
Specification

Life Time : 30.000hr
 Input Voltage : AC 220-240V
 Frequency : 50/60Hz
 CRI : 80
 Ambient Temperature : 5°C until 30°C

Fixture Body : Aluminium Diecasting
 Installation : Recessed



Dimension



LED Step Light

Wattage	3W	5W
6500K ●	NNP80050031 110lm - 36.7lm/W	NNP81050031 200lm - 40lm/W
3000K ●	NNP80010031 110lm - 36.7lm/W	NNP81010031 200lm - 40lm/W

Decorative Lighting LED Bollard Light

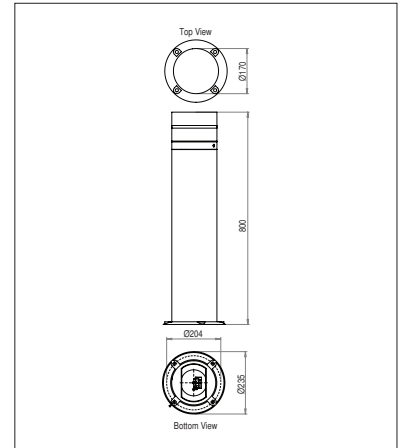


Specification

Life Time : 50.000hr
 Input Voltage : AC 220-240V
 Frequency : 50/60Hz
 CRI : 70
 Ambient Temperature : 5°C until 35°C

Body : Aluminum Alloy Molding

Dimension



Application



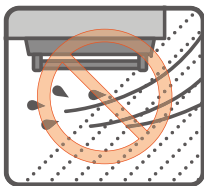
Wattage	10W
Beam Angle	180°
System	ON-OFF
5000K ●	NNP42012 550lm
4000K ○	NNP42011 550lm
3000K ●	NNP42010 550lm

⚠ Safety Warnings

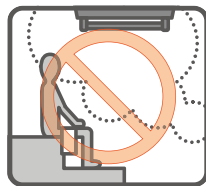
- Lighting fixtures have a limited service life. Even if there are no changes to the appearance, after 10 years has passed from installation, the interior parts are deteriorating. Please inspect and replace your lighting fixtures.
- Before using, read the "Instruction Manual" carefully, or use the lighting fixtures carefully following consultation with the retailer or a construction specialist.
- Some products come with a warning seal affixed for how to use the product safely. Please use the product correctly after checking this seal.
- Please use Panasonic LED lamps for the straight tube LED lamp mounted base light.

* Please follow the guidelines below concerning prohibited installation locations and construction details. Improper use may result in the fixtures falling, electric shock, or fire. There are also individual warnings for the lighting fixtures, so please check these with the approval diagram or the like.

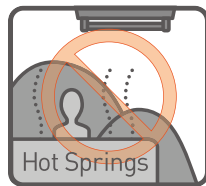
Prohibited Installation Areas for LED Indoor Use Fixtures



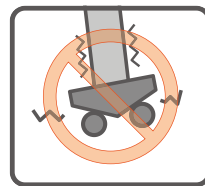
» Locations where rain falls. Locations below the rainfall depth line or where rain may fall.



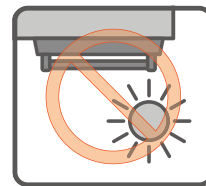
» In commercial baths, saunas, or any locations that constantly have high temperature and high humidity (35°C or higher, 85% humidity or higher).



» Locations where corrosive gases are generated, such as hot springs.



» Locations that are subject to vibration or frequent shocks.



» Locations where sunlight directly strikes the fixtures.

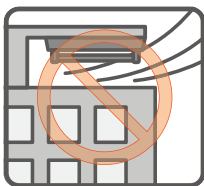
» These are indoor-only fixtures.

» If there are instructions regarding the direction of mounting, please be certain to mount the lighting in the direction instructed.

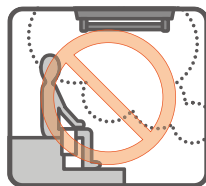
Warnings During Construction of LED Indoor Lighting

» Depending on the number of LEDs installed or the fixture configuration, some LED fixtures may experience more current leakage than conventional fluorescent light fixtures. Fixtures such as these have a limit for number of sets installed written in the approval diagram, so please check this in advance.

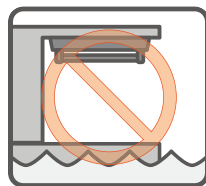
Prohibited Installation Areas for LED Water-proof Fixtures



» Roofs of buildings with no windbreaks, mountain ridges, bridges, and other very windy places.



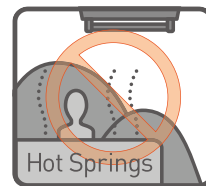
» In commercial baths, saunas, or anywhere that constantly has high temperature and high humidity (35°C or higher, 85% humidity or higher).



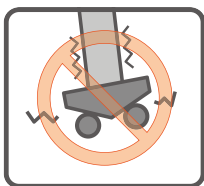
» Locations that suffer salt damage from ocean breezes, such as coastal areas.



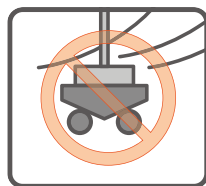
» Locations exposed to chlorine gas, such as swimming pools.



» Locations where corrosive gases are generated, such as hot springs.

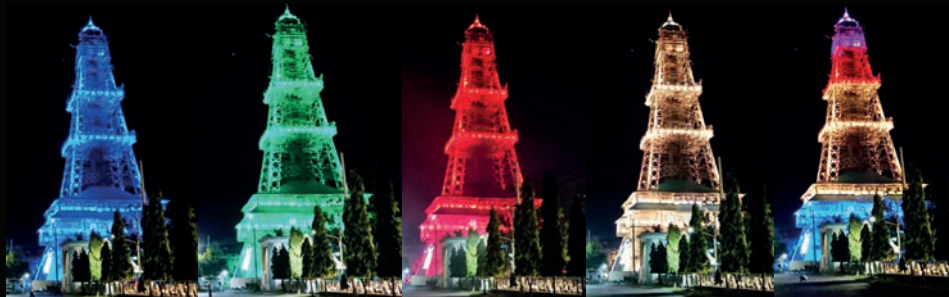


» Locations that are subject to vibration or frequent shocks.



» Locations subject to wind and rain from behind, due to channel mounting or similar. (Fuji type, wall lights, ceiling lights, brackets, etc.)

» If there are instructions regarding the direction of mounting, please be certain to mount the lighting in the direction instructed.



SALES COMPANY

**PT. Panasonic Gobel Life Solutions
Sales Indonesia**

Summitmas I, 8th floor Jl. Jend. Sudirman Kav. 61-62
Jakarta 12190 Indonesia
Tel; +62-21-2521616 Fax; +62-21-2521686

Website : <http://panasonic.net/ls/id>

FACTORY

**PT. Panasonic Gobel Life Solutions
Manufacturing Indonesia**

Kawasan Pasuruan Industrial Estate Rembang
Jl. Rembang Industri Raya No. 47 PIER
Pasuruan 67152, Jawa Timur

Please contact :
